

# READ & SAVE THESE INSTRUCTIONS

## ACCESS LIGHTING

### MODEL# 20416, 20420, 20439, 20440LED

## INSTALLATION & OPERATION INSTRUCTIONS

### 1) TOOLS AND MATERIALS REQUIRED

- ❖ Blade Screwdriver
- ❖ Star Screwdriver
- ❖ Wire Cutters
- ❖ Wiring supplies as required by Electrical Code

#### **Attention:**

**Before assembling your lighting fixture, please read the following instructions.**

### (2) GENERAL

1. To ensure the success of the installation, be sure to read these instructions thoroughly before beginning.
2. All electrical connections must be in accordance with local codes, ordinances, or the National Electrical Code. If you are unfamiliar with methods of installing electrical wiring, secure the services of a qualified licensed electrician.
3. These fixtures are intended for mounting to a standard 4" x 2 1/4" deep metal octagon outlet box. The box must be directly supported by the building structure and U.L. Recognized.
4. Before commencing with the installation, **disconnect the power by turning off the circuit breaker** or by removing the fuse at the fuse box. Turning the power off using the light switch is not sufficient to prevent electrical shock.

#### **NOTE:**

**The important safeguards and instructions appearing in this manual are not meant to cover all possible conditions and situations that may occur. It must be understood that common sense, caution and care, are factors that cannot be built into any product. The person(s) caring for and operating the fixture must supply these factors.**

### (3) UNPACKING THE FIXTURE

On checking the contents of the box you will find;

1. Hardware Packet
2. Fixture
3. Glass Shade

### (4) PREPARE THE FIXTURE

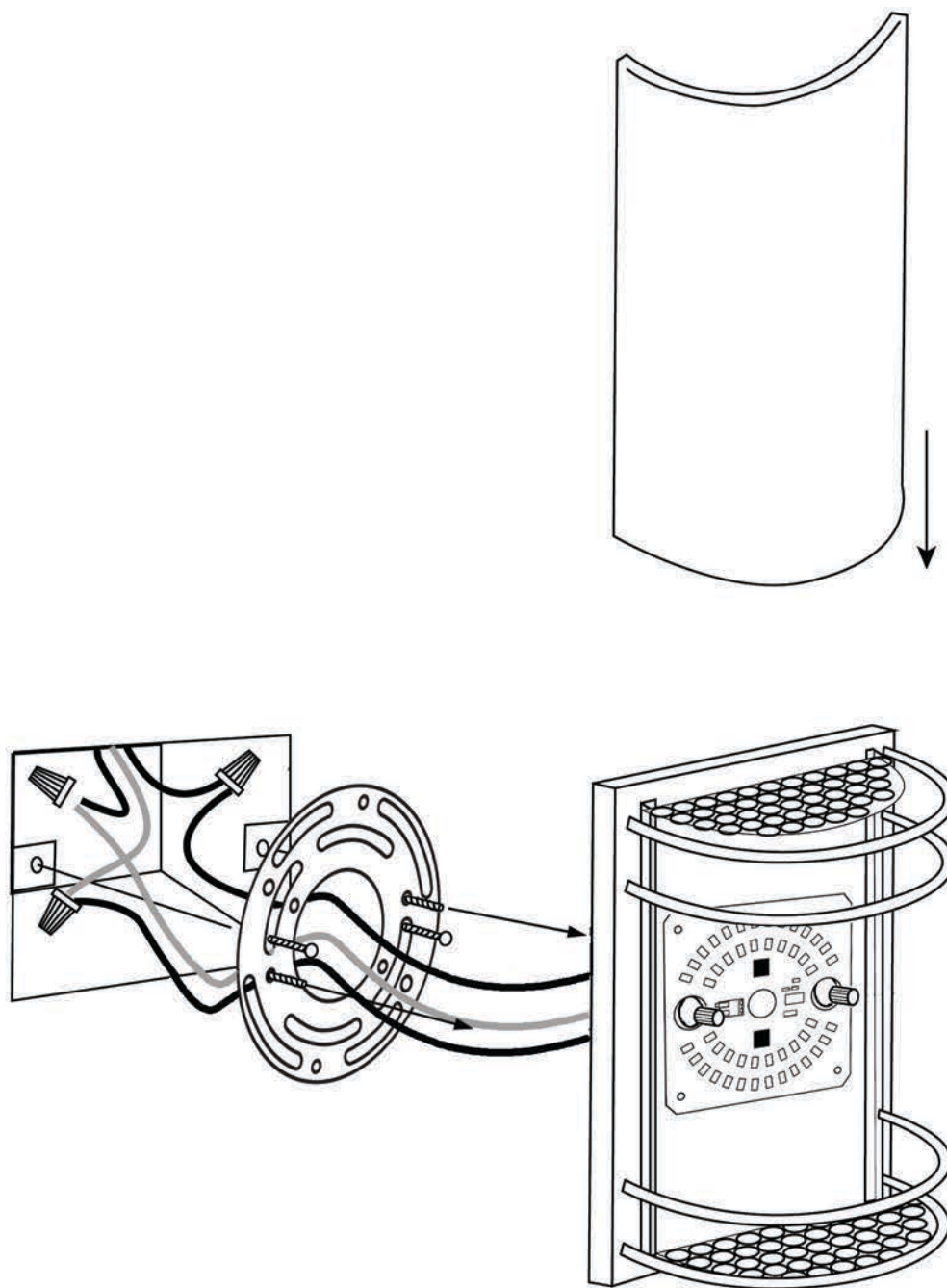
1. If you are replacing an existing fixture, disconnect and remove the old fixture. Expose the supply wiring from the outlet box.
2. Lay the un-assembled fixture on a soft surface and carefully remove all the packing material.
3. Mount the supplied crossbar (2) to the Junction box (1) with the supplied screws (3) and attach the small threaded rod (6) into the center hole of the crossbar, with approximately 4 rotations.
4. Attach the **Supply Wires** to the **Fixture Wires** in the following manner. The **Black supply wire** attaches to the **Black or Brown fixture wire** and the **White or Blue supply wire** attaches to the **White fixture wire**. Attach the **Green/Ground wire** from the fixture to the **Electrical Supply Wire**.
5. Secure these connections with supplied **Wire Nuts (3)** and tape these connections with electrical tape (not supplied)
6. Attach the **Fixture (8)** to the threaded rod protruding from the crossbar and secure with the supplied knurled knob (9), when doing so make sure the fixture is in an upright position, as the glass shade slides down into the frame.
7. Attach the glass by sliding it gently into the slots of the fixture until it seats comfortably into position.
8. Restore electricity and enjoy your new lighting fixture.

#### **CAUTION:**

- **No user serviceable parts, this fixture uses matched components, do not attempt to replace any components or repair the fixture without seeking advise from the factory.**



**Models: 20416, 20420, 20439, 20440LED**



**access**  
LIGHTING