



Read & Save these Instructions Models: 20445 Installation & Operation Instructions

(1) TOOLS AND MATERIALS REQUIRED

- ❖ Blade Screwdriver
- ❖ Star Screwdriver
- ❖ Wire Cutters
- ❖ Wiring supplies as required by Electrical Code
- ❖ 2X13W/GU24 Bulbs

When you replace with the self ballasted lamp, the lamp should meet with ul1993 standard.

Attention:

Before assembling your lighting fixture, please read the following instructions. If you feel you do not have sufficient electrical experience, refer to a do-it-yourself wiring handbook or have your fixture installed by a qualified licensed electrician.

(2) GENERAL

1. To ensure the success of the installation, be sure to read these instructions thoroughly before beginning.
2. All electrical connections must be in accordance with local codes, ordinances, or the National Electrical Code. If you are unfamiliar with methods of installing electrical wiring, secure the services of a qualified licensed electrician.
3. These fixtures are intended for mounting to a standard 4" x 2 1/4" deep metal octagon J-box. The box must be directly supported by the building structure and U.L. recognized.
4. Before commencing with the installation, *disconnect the power by turning off the circuit breaker* or by removing the fuse at the fuse box. Turning the power off using the light switch is not sufficient to prevent electrical shock.

NOTE:

The important safeguards and instructions appearing in this manual are not meant to cover all possible conditions and situations that may occur. It must be understood that common sense, caution and care, are factors that cannot be built into any product. The person(s) caring for and operating the fixture must supply these factors.

(3) UNPACKING THE FIXTURE

On checking the contents of the box you will find;

1. Fixture assembly
2. Hardware packet
3. Glass Shade

(4) PREPARING THE FIXTURE

Refer to figure 1 for illustration of fixture parts and assembly.

1. If you are replacing an existing fixture, disconnect and remove the old fixture. Expose the supply wiring from the **(5)J-box**.
2. Lay the un-assembled fixture on a soft surface and carefully remove all the packing material.
3. Place the supplied **(3)long screws** through the holes in the **(6)crossbar** and secure tightly to the **(6)crossbar** with the **(8)small hex nuts**. This will prevent the **(3)long screws** from rotating when the finials are attached.
5. Fasten the **(6)crossbar** to the **(5)J-box** with the **(4)short screws**.
6. Connect the fixture wires to the power wires in the J-Box. Connect the black fixture wire to the black power wire and the white fixture wire to the white power wire. Secure the connection with the supplied the **(1)wire connectors** and U.L. listed electrical tape (not supplied).
7. Connect the **(2) fixture ground wire** and supply ground wire together, and secure with the **(9) wire connector** and U.L. Listed electrical tape (not supplied). Carefully tuck all wires into the J-Box.
8. Let the **(3)long screws** go through the two holes in the **(11)fixture**, and then secure the **(11)fixture** against the wall with the supplied **(7)finials**.
9. Insert bulb into socket. **DO NOT EXCEED WATTAGE AS PER CAUTION LABEL.**
10. Slide **(10)shade** into place.
11. Restore electricity and check the operation of your new lighting fixture.

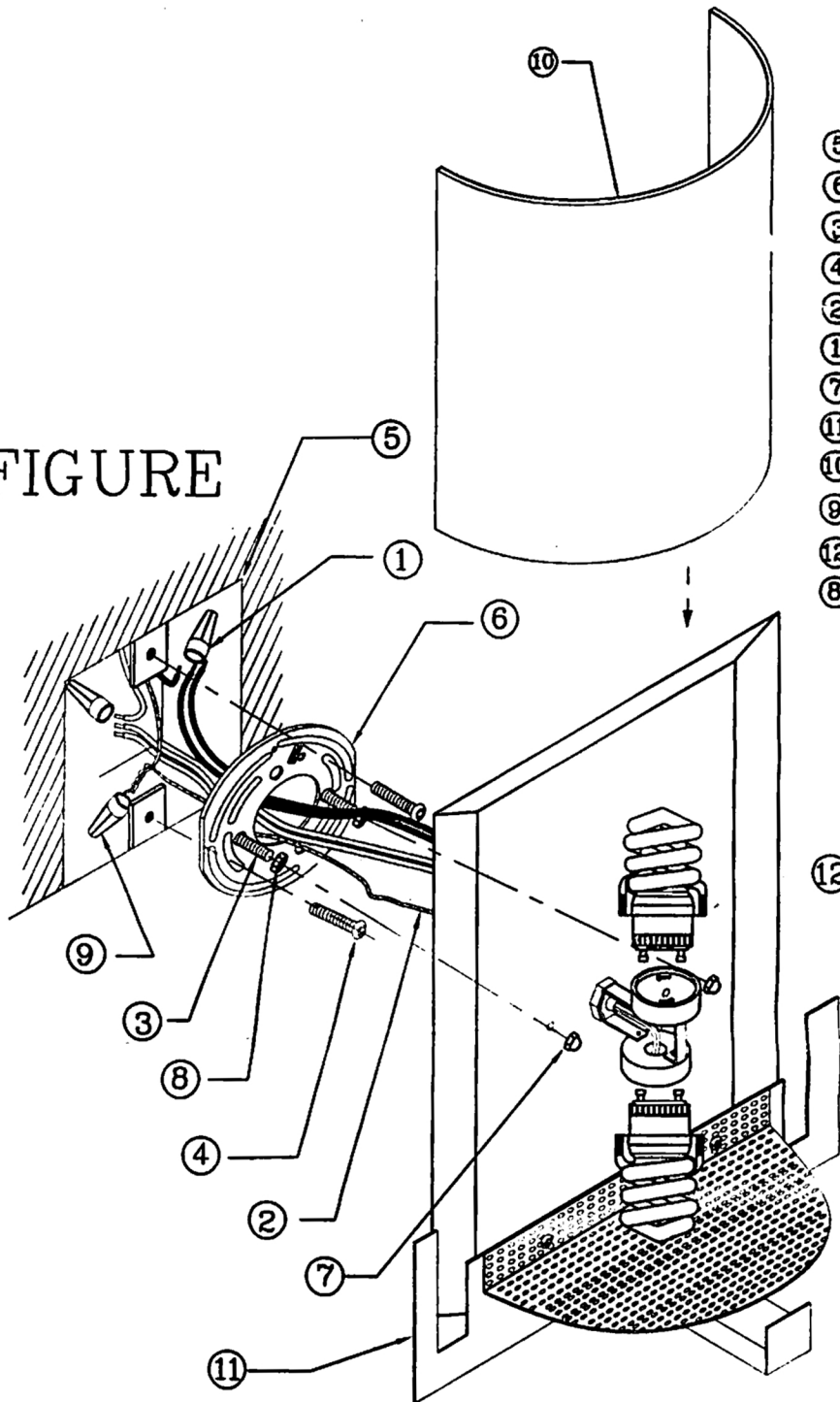
CAUTION:

- *Ensure that the Fitting is Cool and Switched off, Before Changing the Bulbs.*
- *Do Not use the Bulbs Exceeding Maximum Wattage as Per Caution Label.*
- *Do Not Touch the Bulb while fixture is in operation.*

PLEASE SEE DIAGRAM ON REVERSE SIDE OF PAGE.

Read & Save these Instructions
 Models: 20445
 Installation & Operation Instructions

FIGURE



- ⑤ J-BOX IN THE BUILDING
- ⑥ CROSSBAR 1PC
- ③ LONG SCREWS 2PCS
- ④ SHORT SCREWS 2PCS
- ② FIXTURE GROUND WIRE
- ① WIRE CONNECTORS 2PCS
- ⑦ FINIALS 2PCS
- ⑪ FIXTURE
- ⑩ SHADE 1PC
- ⑨ WIRE CONNECTOR 1PC
- ⑫ SELF BALLASTED LAMPS 2PCS
- ⑧ SMALL HEX NUTS 2PCS