

access

L I G H T I N G

INSTALLATION INSTRUCTIONS

IMPORTANT

Before assembling your access lighting fixture, please make sure that you carefully read through these instruction sheets. Consider having your fixture installed by a qualified licensed electrician.

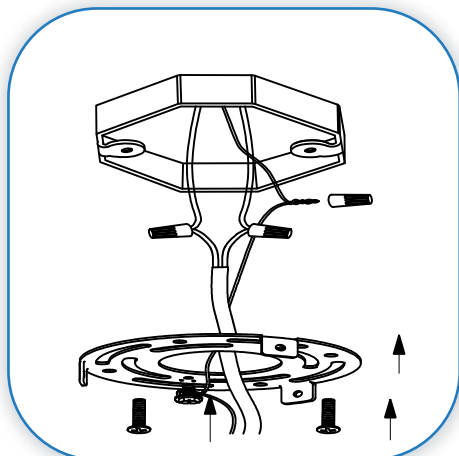
NOTE: The important safeguards and instructions that appear in this manual are not meant to cover all possible conditions and situations that may occur. It must be understood that common sense, caution and care, are factors that can't be built into any product. These factors must be supplied by the person(s) caring for and operating the fixture.

GENERAL INFORMATION

All electrical connections must be in accordance with all ordinances, Local and National Electrical Codes. These fixtures are intended for mounting to a standard 4" x 2 1/2" metal octagon outlet box. The box must be directly supported by the building structure and U.L. Recognized.

STEP BY STEP INSTRUCTIONS

Before starting your installation disconnect the Power by turning off the Circuit Breaker or by removing the fuse at the fuse box. Just turning the light off at the light switch is not sufficient to prevent electrical shock.



COLLECTION
METEOR

APPLICATION
Pendant

MODEL NO.
70083LED
70084LED

WHAT WE PROVIDE

- Mounting Hardware
- Crossbar Plate
- 1 x Acrylic Shade
- LED

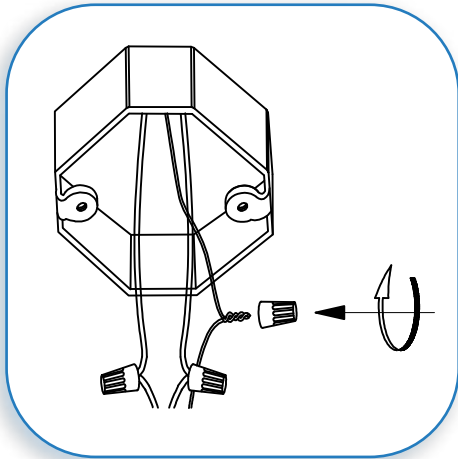
WHAT YOU NEED

- Screwdriver
- Wire Cutters
- Wiring Supplies as Specified by Electrical Code

1

PREPARE FIXTURE AND MOUNT THE CROSSBAR

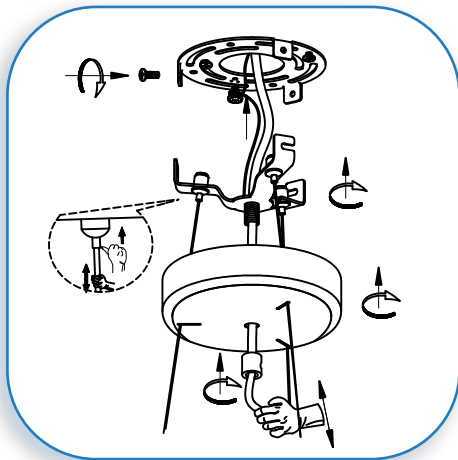
If there is an existing fixture remove it.
Expose the supply wire from the outlet box.
Mount the crossbar to the junction box with the supplied screws



2

MAKE WIRE CONNECTIONS

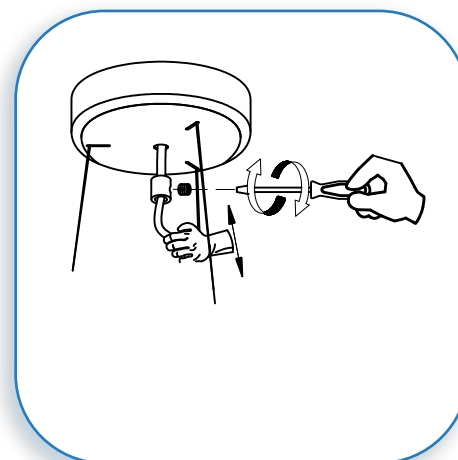
Gently pull the supply wires through the hole in the crossbar. Connect the black supply wire to the black fixture wire. Secure with the supplied wire nuts. Connect the white supply wires to the white fixture wire. Secure with the supplied wire nuts. Either wrap the green wire around one of the protruding screws or connect it to the supply ground wire. Secure all wire with electrical tape (not supplied). Tuck all wires carefully into the J-Box.



3

MOUNT FIXTURE TO THE CROSSBAR PLATE

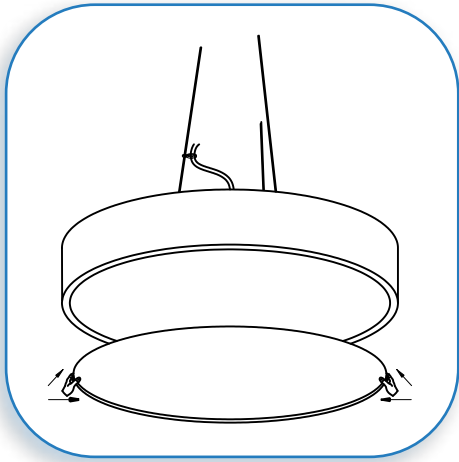
Insert the screws to the side of crossbar. Position the hanger to the side of crossbar screws. Adjust the length of the wire using the grip lock. Place the canopy over the hanger to crossbar. Align the hole in the centre of canopy and secure with the supplied thumb screws.



4

SECURE THE STRAIN RELIEF

Adjust the length of fixture and secure with the supplied strain relief screw.



5

INSTALL THE ACRYLIC SHADE

Hold the acrylic shade and push inward and up over to the fixture.



6

**RESTORE THE ELECTRICITY AND
CHECK THE OPERATION OF YOUR
NEW ACCESS FIXTURE**