

Model No :: **20011LEDDMG-BRZ/RFR**  
 Name :: Nevis



Project Name :: \_\_\_\_\_  
 Location :: \_\_\_\_\_  
 Type :: \_\_\_\_\_  
 Quantity :: \_\_\_\_\_  
 Notes :: \_\_\_\_\_

**Product Information**

Product ID :: 20011  
 UPC Code :: 641594225709  
 Mounting Type :: Wall  
 Finish :: Bronze (BRZ)  
 Diffuser :: Ribbed Frosted (RFR)  
 Alt. Finishes :: Bronze (BRZ); Satin (SAT)  
 Alt. Diffusers :: Ribbed Frosted (RFR)

**Product Dimensions**

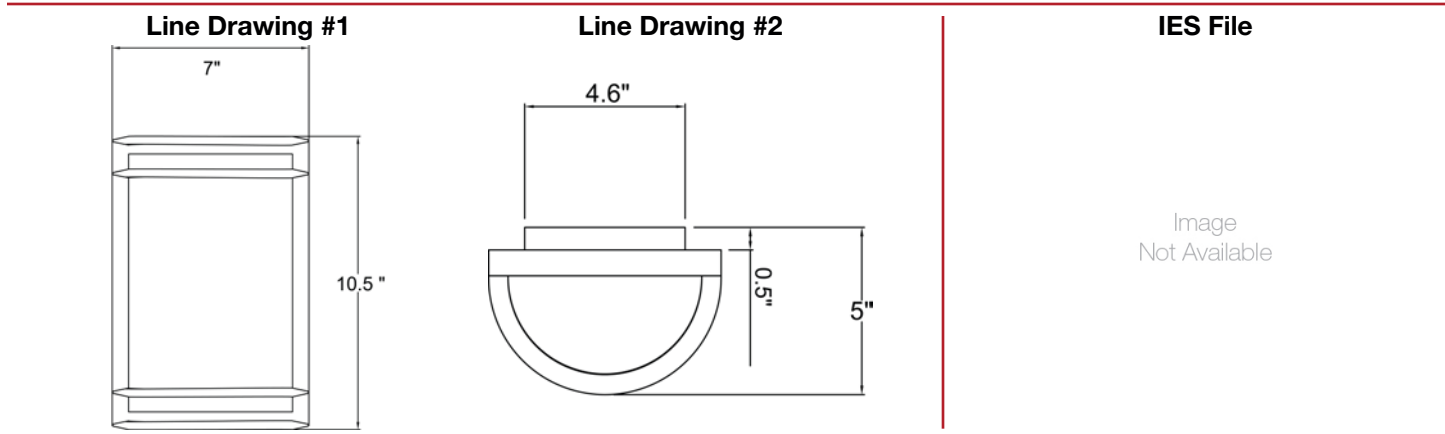
Fixture	Canopy
Length :: N/A	Length :: 4.75"
Width :: 7"	Width :: 4.75"
Diameter :: N/A	Diameter :: N/A
Extension :: 5"	Height :: 0.5"
Height :: 10.5"	
Overall Height :: N/A	



**Technical Specifications**

Qualifications	Specifications	Photometrics	Recommended Dimmers
Location Rating :: Wet	Frame Material :: Aluminum	CCT :: 3000	(ELV) LUTRON Diva DVELV-300P; (ELV) LUTRON Diva DVELV-303P; (ELV) LUTRON Skylark SELV-300P
Certification :: UL Listed (US/Canada)	Diffuser Material :: Glass	CRI :: 90	
IES File ::	Voltage :: 120v	Wattage :: 13w	
JA8 Compliant :: No	Lamping Type :: Dedicated LED	Nominal Lumens :: 1250Lm	
Energy Star :: No	Lamping Base :: SSL	Delivered Lumens :: N/A	
ADA Compliant :: No	Lamp Quantity :: 1		
Marine Grade :: Yes	Lamp Wattage :: 13 W		
Emergency Lighting :: No	Total Wattage :: 13w		
Warranty :: 5 Year Limited	Lamps Included :: Yes		
	J-Box Type :: Standard		

Additional Items :: Alt Color Temperatures Available; Available in 0-10V Dim; Available in 277V; JA8 Compliant



Toll Free 800-828-5483 • [www.AccessLighting.com](http://www.AccessLighting.com)

14410 Myford Road, Irvine, CA 92606  
 The information provided is subject to change without notice. ©2020 Access Lighting Corporation. All Rights Reserved  
 Rev. 202004 Filename:: 20011LEDDMG-BRZ\_RFR.pdf

