

Model No :: **20445-BS/OPL**  
 Name :: Cobalt



Project Name :: \_\_\_\_\_  
 Location :: \_\_\_\_\_  
 Type :: \_\_\_\_\_  
 Quantity :: \_\_\_\_\_  
 Notes :: \_\_\_\_\_

**Product Information**

Product ID :: 20445  
 UPC Code :: 641594104424  
 Mounting Type :: Wall  
 Finish :: Brushed Steel (BS)  
 Diffuser :: Opal (OPL)  
 Alt. Finishes :: Brushed Steel (BS)  
 Alt. Diffusers :: Opal (OPL)

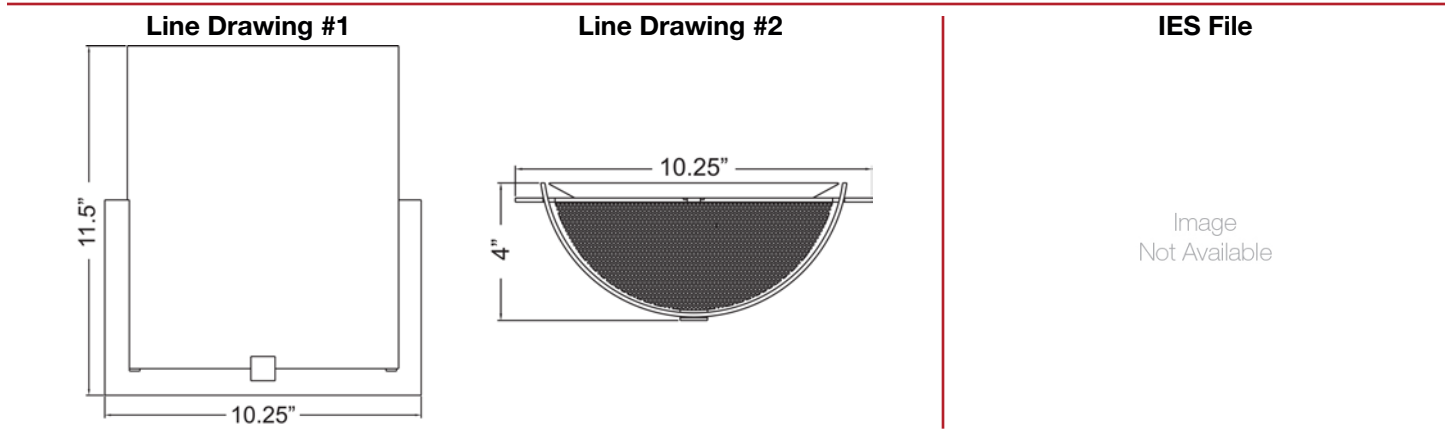
**Product Dimensions**

Fixture	Canopy
Length :: N/A	Length :: 9.25"
Width :: 10.25"	Width :: 8.25"
Diameter :: N/A	Diameter :: N/A
Extension :: 4"	Height :: 0.5"
Height :: 11.5"	
Overall Height :: N/A	



**Technical Specifications**

Qualifications	Specifications	Photometrics	Recommended Dimmers
Location Rating :: Damp	Frame Material :: Steel	CCT :: 2700	0
Certification :: UL Listed (US/Canada)	Diffuser Material :: Glass	CRI :: N/A	
IES File ::	Voltage :: 120v	Wattage :: 26w	
JA8 Compliant :: No	Lamping Type :: Fluorescent	Nominal Lumens :: 1800Lm	
Energy Star :: No	Lamping Base :: GU-24	Delivered Lumens :: N/A	
ADA Compliant :: Yes	Lamp Quantity :: 2	Additional Items :: 0	
Marine Grade :: No	Lamp Wattage :: 13 W		
Emergency Lighting :: No	Total Wattage :: 26w		
Warranty :: 1 Year Limited	Lamps Included :: Yes		
	J-Box Type :: Standard		



Toll Free 800-828-5483 • [www.AccessLighting.com](http://www.AccessLighting.com)

14410 Myford Road, Irvine, CA 92606  
 The information provided is subject to change without notice. ©2020 Access Lighting Corporation. All Rights Reserved  
 Rev. 202004 Filename:: 20445-BS\_OPL.pdf

