

Model No :: **63968LEDD-BL/ACR**  
 Name :: Squared



Project Name :: \_\_\_\_\_  
 Location :: \_\_\_\_\_  
 Type :: \_\_\_\_\_  
 Quantity :: \_\_\_\_\_  
 Notes :: \_\_\_\_\_

**Product Information**

Product ID :: 63968  
 UPC Code :: 641594228960  
 Mounting Type :: Ceiling  
 Finish :: Black (BL)  
 Diffuser :: Acrylic Lens (ACR)  
 Alt. Finishes :: Black (BL); White (WH)  
 Alt. Diffusers :: Acrylic Lens (ACR)

**Product Dimensions**

<b>Fixture</b>		<b>Canopy</b>
Length :: 30.5"		Length :: 11"
Width :: 30.5"		Width :: 11"
Diameter :: N/A		Diameter :: N/A
Extension :: N/A		Height :: 1.75"
Height :: 4.5"		
Overall Height :: 6-123"		

**Technical Specifications**

**Qualifications**

Location Rating :: Damp  
 Certification :: UL Listed (US/Canada)  
 IES File ::  
 JA8 Compliant :: No  
 Energy Star :: No  
 ADA Compliant :: No  
 Marine Grade :: No  
 Emergency Lighting :: No  
 Warranty :: 5 Year Limited

**Specifications**

Frame Material :: Metal  
 Diffuser Material :: Acrylic  
 Voltage :: 120v  
 Lamping Type :: Dedicated LED  
 Lamping Base :: SSL  
 Lamp Quantity :: 1  
 Lamp Wattage :: 75 W  
 Total Wattage :: 75w  
 Lamps Included :: Yes  
 J-Box Type :: Standard

**Photometrics**

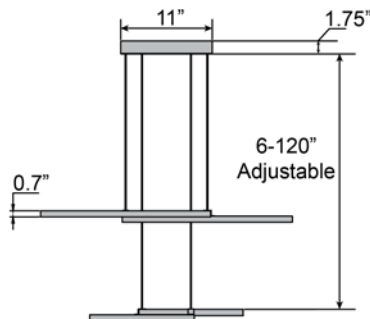
CCT :: 3000  
 CRI :: 85  
 Wattage :: 75w  
 Nominal Lumens :: 5600Lm  
 Delivered Lumens :: N/A

**Recommended Dimmers**

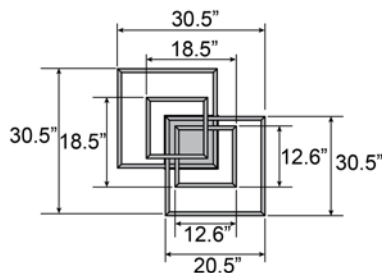
(ELV) LUTRON Skylark SELV-300P; (TRIAC) LUTRON Diva DVCL-153P; (TRIAC) LUTRON Skylark S-600P-AL

Additional Items :: 0

**Line Drawing #1**



**Line Drawing #2**



**IES File**

Image Not Available

**Toll Free 800-828-5483 • www.AccessLighting.com**

14410 Myford Road, Irvine, CA 92606

The information provided is subject to change without notice. ©2020 Access Lighting Corporation. All Rights Reserved  
 Rev. 202004 Filename:: 63968LEDD-BL\_ACR.pdf

