

Safety Precautions

Read all safety precautions and installation instructions carefully before installing or servicing this fixture. Failure to comply with these instructions could result in potentially fatal electric shock and/or property damage.

It is recommended that a qualified electrician perform all wiring. This fixture must be wired in accordance with all national and local electrical codes.

Do not handle any energized fixture or attempt to energize any fixture with wet hands or while standing on a wet or damp surface or in water.

This fixture is designed for use in a 110-120VAC, 60Hz fused circuit.

Make sure that the power source conforms to the requirements of the fixture (see labels on fixture housing).

To reduce the risk of electrical shock, and to assure proper operation, this fixture must be adequately grounded. To accomplish proper grounding, there must be a separate ground wire (green) contact between this fixture and the ground connection of your main power supply panel.

This fixture is intended to be used for general indoor lighting in damp locations.

ASSEMBLY INSTRUCTIONS

1. Preparing for installation.

- Disconnect electrical power** at fuse or circuit breaker box before installing or servicing any part of this fixture.
- Carefully remove the fixture from the carton.
- Install threaded pipe (3) to gem bar (2) using jam nut (11) to prevent pipe from moving.
- Install gem bar to junction box (not provided) with two #8 machine screws (1).

2. Wiring – all wiring must take place inside junction box.

Caution: Make sure power is off at fuse or circuit breaker box. Check power wires for damage or scrapes. If power supply wires are within three inches of the LED driver power supply, use wire suitable for at least 90°C (194°F). **Note:** Most dwellings built before 1985 have supply wire rated to 60°C. Consult a qualified electrician before installing.

- Make all wire connections to appropriate wire. Secure with wire nuts (supplied).
- Connect green wire from the fixture to the power source green wire.
- Connect black wire from the fixture to the power source black (L) wire.
- Connect white wire from the fixture to the power source white (N) wire.
- Do not mix wires.** Pull on each wire lead to make sure connections are secure. Make certain no bare wires are exposed outside of wire connectors.
- Tuck all connections neatly into junction box.

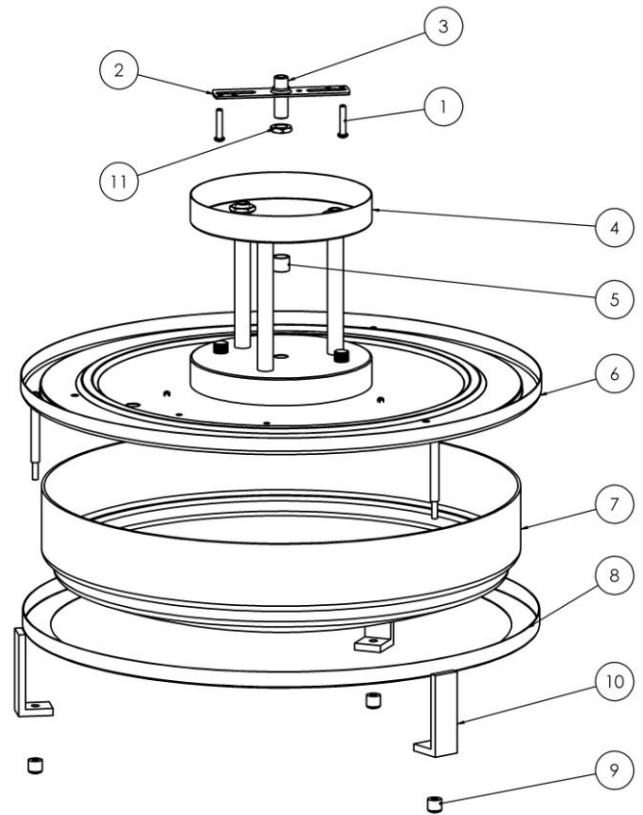
3. Mounting

- Install fixture by securing the canopy (4) to the gem bar using thumbnuts (5).

4. Restore power at fuse or circuit breaker box.

5. Care & Maintenance

- Remove diffuser (7) by removing thumb nuts (9), brackets (10), and trim ring (8).
- As needed, dust the diffuser (inside and out) with a clean, dry cloth. Wipe clean with a slightly damp cloth if needed. Never use abrasive cleaner.
- Reinstall diffuser over pan (6). Install trim ring and brackets using thumb nuts.



Limited Factory Warranty

AFX Inc. warrants this fixture is free from defects in materials and workmanship when installed and used under normal operating conditions for a period of 5 years from date of purchase. This warranty covers all component parts and extends only to replacement of defective fixture or components; it does not cover failure due to improper installation, misuse, mishandling or damage incurred in transit.