

Safety Precautions

Read all safety precautions and installation instructions carefully before installing or servicing this fixture. Failure to comply with these instructions could result in potentially fatal electric shock and/or property damage.

It is recommended that a qualified electrician perform all wiring. This fixture must be wired in accordance with all national and local electrical codes.

Do not handle any energized fixture or attempt to energize any fixture with wet hands or while standing on a wet or damp surface or in water.

Make sure that the power source conforms to the requirements of the fixture (see labels on fixture housing).

To reduce the risk of electrical shock, and to assure proper operation, this fixture must be adequately grounded. To accomplish proper grounding, there must be a separate ground wire (green) contact between this fixture and the ground connection of your main power supply panel.

This fixture is intended to be used for general indoor lighting in damp locations.

ASSEMBLY INSTRUCTIONS

1. Preparing for installation

- A. **Disconnect electrical power** at fuse or circuit breaker box before installing or servicing any part of this fixture
- B. Carefully remove the fixture from the carton, and check that all parts are included, as shown in Figure 1

2. Wiring – all wiring must take place inside junction box

Caution: Make sure power is off at fuse or circuit breaker box.

Check power wires for damage or scrapes. If power supply wires are within three inches of the LED driver power supply, use wire suitable for at least 90C (194F). **Note:** Most dwellings built before 1985 have supply wire rated to 60C. Consult a qualified electrician before installing.

- A. Connect the power source ground wire to the green or bare copper wire from the fixture assembly.
- B. Using wire nuts (provided), connect white (common) supply wire to white fixture lead. Connect black (hot) supply wire to black fixture lead. **Do not mix wires.** Pull on each wire lead to make sure connections are secure. Make certain no bare wires are exposed outside of wire connectors. **Note:** fixtures with universal voltage power supplies are pre-wired with a disconnect. Refer to the included guide for using the disconnect
- C. Tuck all connections neatly into junction box

3. Mounting

- A. Install fixture by securing the ceiling pan (1) to the junction box (not provided) using provided screws (6) and the semi-circular slots and/or outer keyhole slots (**Figure 2**). **Note:** over-tightening can warp/bend the ceiling pan
- B. Place diffuser (2) over ceiling pan. Install trim ring (4) and brackets (3) using thumb nuts (5). Note – to enable single-person mounting, install trim ring with one bracket and thumb nut, then insert diffuser and install remaining brackets (**Figure 3**)

4. Restore power at fuse or circuit breaker box

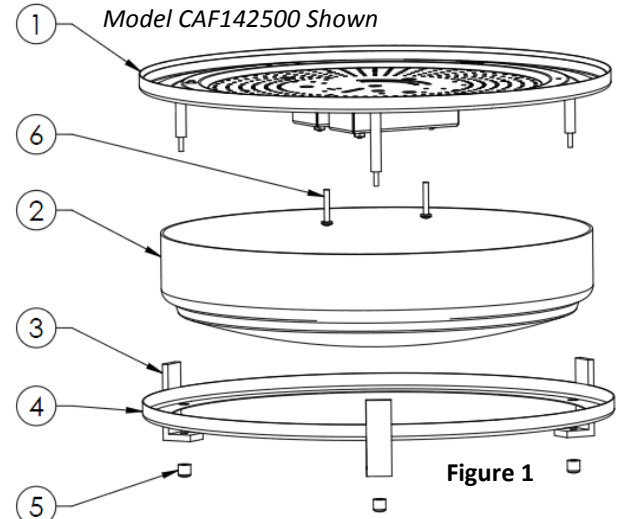


Figure 1

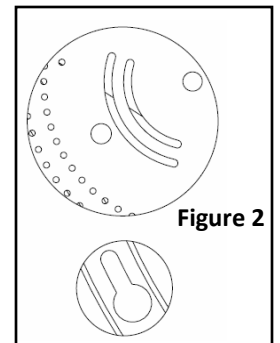


Figure 2

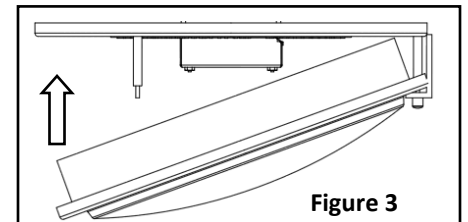


Figure 3

Limited Factory Warranty

AFX Inc. warrants this fixture is free from defects in materials and workmanship when installed and used under normal operating conditions for a period of 5 years from date of purchase. This warranty covers all component parts and extends only to replacement of defective fixture or components; it does not cover failure due to improper installation, misuse, mishandling or damage incurred in transit.