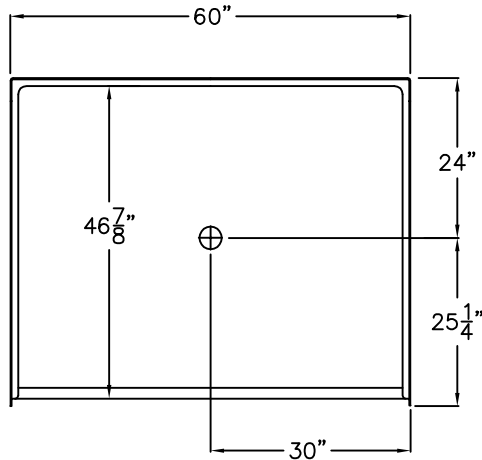


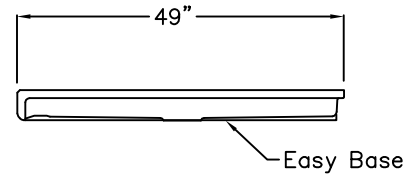
Comfort Series

SUBMITTAL DATA

TOP VIEW



SIDE VIEW



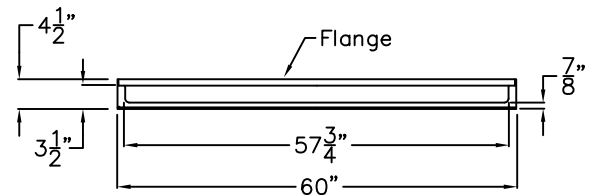
Shower Pan

This shower pan shall be Aquarius Model MPB 6048 BF .875 centert drain. Finished surface shall be of sanitary-grade applied acrylic. The unit shall have outside dimensions of 60" x 49" x 4 1/2". The unit shall meet IAPMO Z124-2011, and CSA B45.5-11.

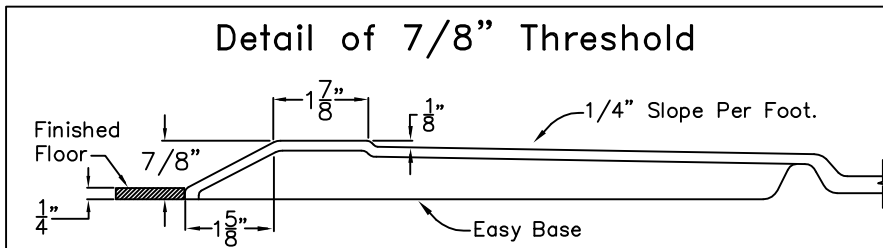
The enclosure shall be equipped with the following factory installed accessories:

- 1) Center drain location,
- 2) Factory installed Easy Base self sustaining bottom,
- 3) 7/8" threshold.

FRONT VIEW



Detail of 7/8" Threshold



DUE TO THE NATURE OF THE MATERIALS INVOLVED
UNIT DIMENSIONS MAY VARY ± 1/2 INCH

Job Name:

AQUARIUS

Approved By Print Name:

Drawing#: MPB 6048 BF .875 PAN

Approved By Signature:

Date:

Date: 3-31-09

Revised: 11-15-16

Rep.:

Wholesaler:

Quote No.

PRAXIS INDUSTRIES, INC.
ROUTE 1, BOX 46D - SAVANNAH, TN 38372
1 (800) 443-7269 - FAX (901) 925-4290