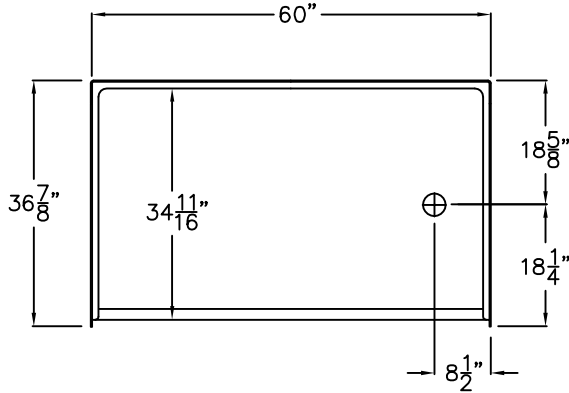


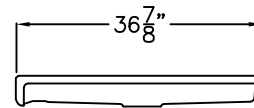
# Comfort Series

## SUBMITTAL DATA

TOP VIEW



SIDE VIEW



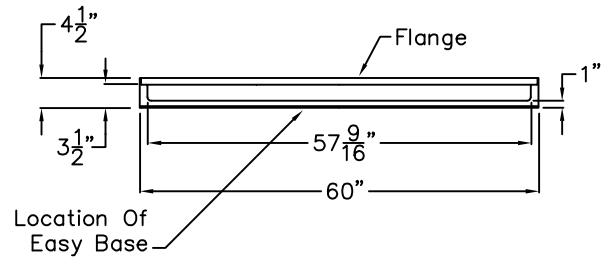
### Shower Pan

This shower pan shall be Aquarius Model MPB 6036 BF 1.0 right or left drain. Finished surface shall be of sanitary-grade applied acrylic. The unit shall have outside dimensions of 60" x 36 7/8" x 4 1/2". The unit shall meet IAPMO Z124-2011, and CSA B45.5-11.

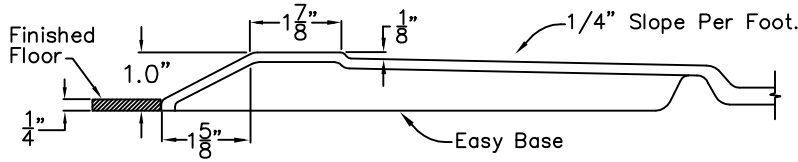
The enclosure shall be equipped with the following factory installed accessories:

- 1) Right or left drain location,
- 2) Factory installed Easy Base self sustaining bottom,
- 3) 1.0" threshold.

FRONT VIEW



### Detail of 1.0" Threshold



DUE TO THE NATURE OF THE MATERIALS INVOLVED  
UNIT DIMENSIONS MAY VARY ± 1/2 INCH

Job Name:	PRAXIS	
Approved by Print Name:	Drawing#: MPB 6036 BF 1.0 L-R Pan	
Approved by Signature:	Date:	Date: 3-31-09      Revised: 11-15-16
Rep.:	Wholesaler:	Quote No.

PRAXIS INDUSTRIES, INC.  
ROUTE 1, BOX 46D - SAVANNAH, TN 38372  
1 (800) 443-7269 - FAX (901) 925-4290

Recyclable Paper