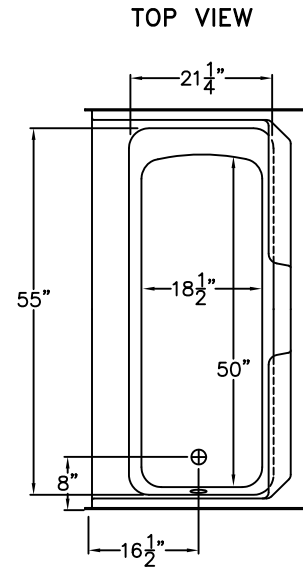
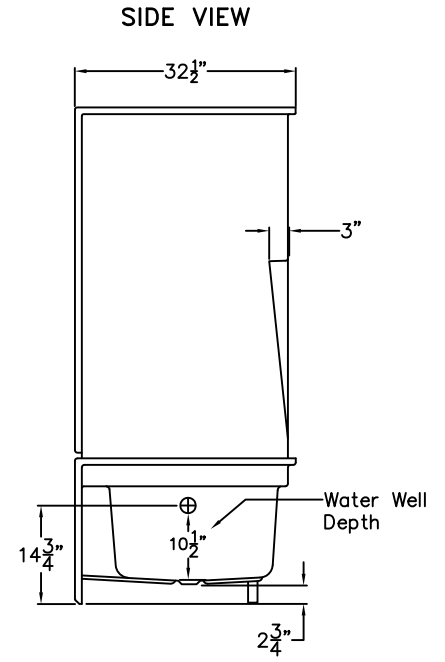
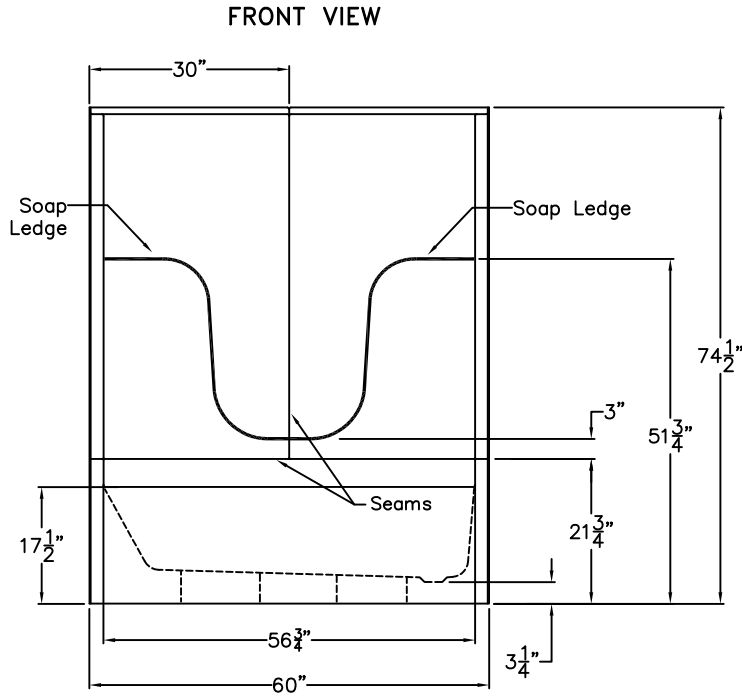


Luxury Acrylic Series

SUBMITTAL DATA



Sectional Tub Shower

This shower enclosure shall be Aquarius Model G 3260 TS 3P right, or left. Finished surface shall be of sanitary-grade applied acrylic. The unit shall have outside dimensions of 60" x 32 1/2" x 74 1/2". The unit shall meet IAPMO Z124-2011, and CSA B45.5-11.

The enclosure shall be equipped with the following factory installed accessories:

- 1) Molded soap ledges on back wall,
- 2) Three piece sectional design,
- 3) Right or left drain location,
- 4) Above floor rough-in.

DUE TO THE NATURE OF THE MATERIALS
DIMENSIONS MAY VARY ± 1/2"

Job Name:	AQUARIUS	
Approved By Signature:	Drawing#: G 3260 TS 3P	
Approved By Print Name:	Date:	Date: 12-8-97 Revised: 10-6-16
Rep.:	Wholesaler:	Quote No.:

PRAXIS INDUSTRIES, LLC.
435 INDUSTRIAL RD - SAVANNAH, TN 38372
1 (800) 443-7269 - FAX (731) 925-4290