

Ovalyn™ Undercounter Sink

- 0496221 Unglazed rim**
- 0496300 Glazed underside (made to order)**
 - Classic oval undermount sink
 - Unglazed rim
 - Made from vitreous china
 - Front overflow
 - Supplied with mounting kit (047194-0070A) and template

Nominal Dimensions

19-1/4" x 16" (489 x 406mm)

Bowl size:

17" (432mm) wide
14" (356mm) front to back
5-1/2" (140mm) deep

- 0497221 Unglazed rim**
- 0497300 Glazed underside**

Nominal Dimensions

21-1/2" x 17-3/8" (546 x 441mm)

Bowl size:

19" (483mm) wide
15-3/8" (391mm) front to back
5-1/2" (140mm) deep

Compliance Certifications -

Meets or Exceeds the Following Specifications:

- ASME A112.19.2M for Vitreous China Fixtures
- CAN/CSA B45 series

NOTES:

* DIMENSIONS SHOWN FOR LOCATION OF SUPPLIED AND "P" TRAP ARE SUGGESTED.
▼ UNDERCOUNTER MOUNTING KIT SUPPLIED WITH SINK. PLEASE NOTE MINIMUM INTERIOR CLEARANCE DIMENSION (K).
FITTINGS NOT INCLUDED AND MUST BE ORDERED SEPARATELY. USE ENCLOSED TEMPLATE FOR COUNTERTOP CUTOUT SEALING COMPOUND SUPPLIED BY OTHERS.

IMPORTANT: Dimensions of fixtures are nominal and may vary within the range of tolerances established by ANSI Standard A112.19.2. These measurements are subject to change or cancellation. No responsibility is assumed for use of superseded or voided pages.



MEETS THE AMERICANS WITH DISABILITIES ACT GUIDELINES AND ANSI A117.1 ACCESSIBLE AND USEABLE BUILDINGS AND FACILITIES - CHECK LOCAL CODES.

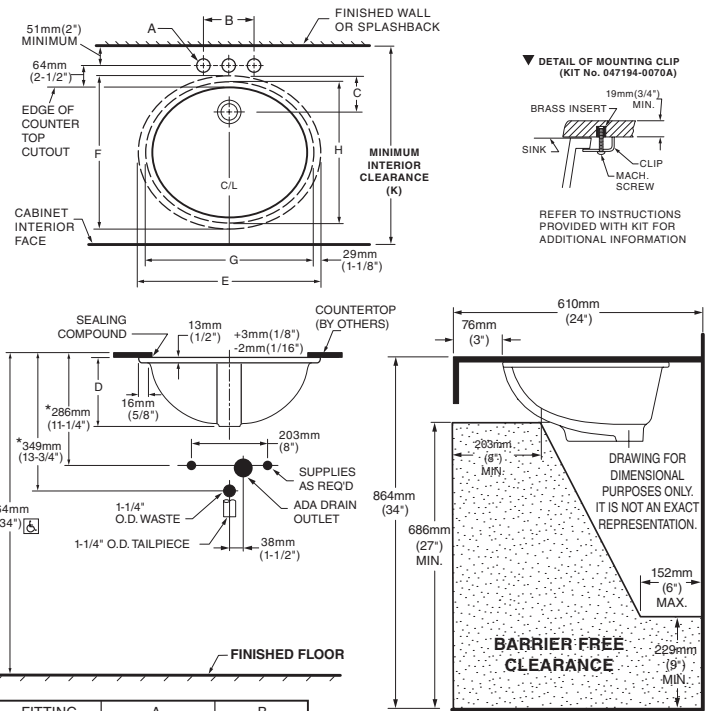
Countertop 864mm (34") from finished floor. Lavatory installed 76mm (3") from front edge of countertop. Countertop thickness to be 25mm (1") maximum.



To Be Specified:

- Color: White Bone Linen
- Faucet*:
- Faucet Finish:
- Supplies:
- 1-1/4" Trap:

* See faucet section for additional models available



FITTING	A	B
CENTERSET	1-1/4" (32mm)	4" (102mm)
SPREAD	1-3/8" (35mm)	8" (203mm)

CAT. NO.	E	F	G	H	C	D	J	K
0496.221/0496.300	489mm (19-1/4)	406mm (16)	432mm (17)	356mm (14)	103mm (4-1/16)	182mm (7-3/16)	16mm (5/8)	500mm (19-11/16)
0497.221/0497.300	546mm (21-1/2)	441mm (17-3/8)	483mm (19)	391mm (15-3/8)	95mm (3-3/4)	191mm (7-1/2)	19mm (3/4)	534mm (21-1/16)