

67" ISADORA DOUBLE ACRYLIC SLIPPER TUB

Cat. No.
ADTS67



L: 67"
W: 29-1/2"
H: 24" (from floor) short end
30" (from floor) tall end
18" (from bottom of tub) short end
24" (from bottom of tub) tall end

Water Depth: 11-1/2" to OF

The following is recommended for ADTS67 slipper tubs:

- Faucets: part #4602, #7393, or # 7410
- Freestanding Bath Supplies: #4502-PL
- Leg tub drain: part #5599

Gallon Capacity: 50
Shipping Weight: 150 lbs.
Empty Weight: 100 lbs.
Filled Weight: 518 lbs.

Features:

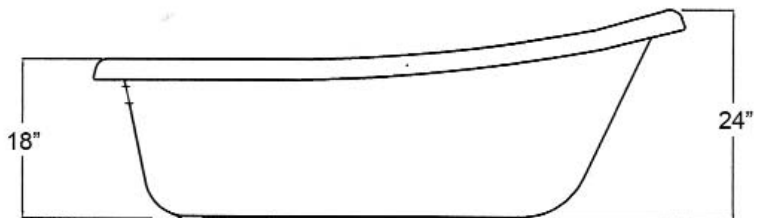
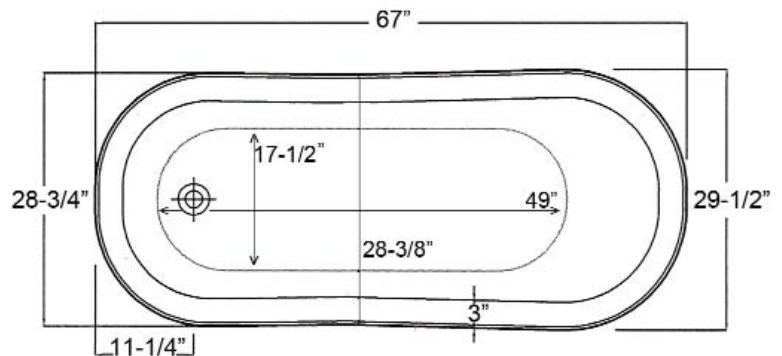
- ▶ Smooth white acrylic surface inside and out
- ▶ Double-walled acrylic
- ▶ No faucet holes
- ▶ Pre-drilled overflow hole
- ▶ Aluminum ball and claw feet
- ▶ Tubs ship with feet attached and leveled
- ▶ Tubs are thoroughly inspected before shipment



Foot Finishes:

- | | |
|------------------------------|---------------------------|
| BQ Bisque | BN Brushed Nickel |
| BL Black | CP Polished Chrome |
| BP Polished Brass | PN Polished Nickel |
| ORB Oil Rubbed Bronze | WH White |

Custom Colors Available (inside of tub is always white enamel):
Painted bathtubs are considered "special order" and are not returnable
\$160 Bisque or Black \$250 Designer Color



Dimensions are nominal and specifications subject to change without notice.