

## Aegean - Single Handle Pressure Balanced Tub & Shower Set



- \* Pressure Balanced Valve with Integral Stops & Ceramic Disc Cartridge (Type F)
- \* Solid Brass Waterway Construction with 1/2" -14 NPT Connection
- \* 7-1/2" Brass Die Cast Diverter Tub Spout
- \* 4-3/4" Matching Finish Six Function Plastic Showerhead with Stainless Steel Shower Arm and escutcheon
- \* 1.5 GPM Flow Rate
- \* 100% Pressure System Tested
- \* Contractor Pack Available
- \* Lifetime Limited Warranty; 5 year warranty from date of purchase for Commercial users.

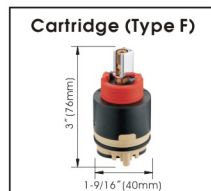
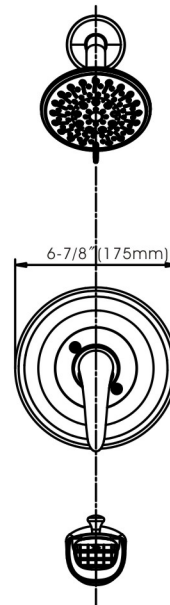
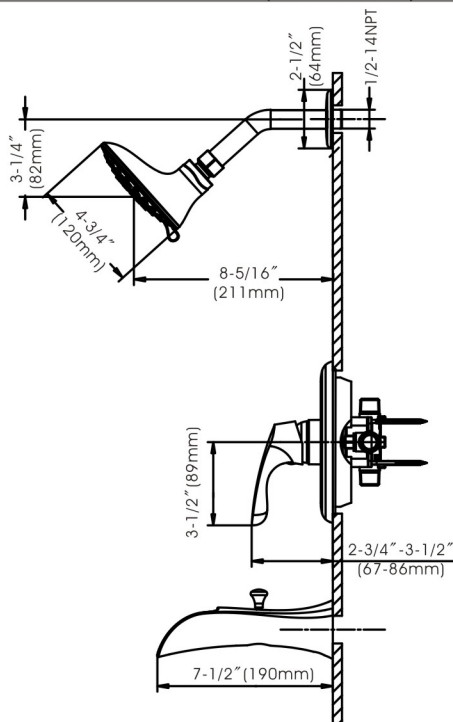
Project / Job Name	
Architect / Engineer	
Contractor	
Model	
Quantity	

### Model No. :

192-6446 (CH)

192-6447 (BN *Spotless PVD*)  
 (Shown Model)

192-6448 (ORB)



**Product Compliance:**  
 • ASME A112.18.1 / CSA B125.1  
 • ANSI A117.1 (ADA)  
 • ASSE 1016