

Casmir Series Contractor Five Function Tub and Shower Trim Pack



• Model No. : 192-6489

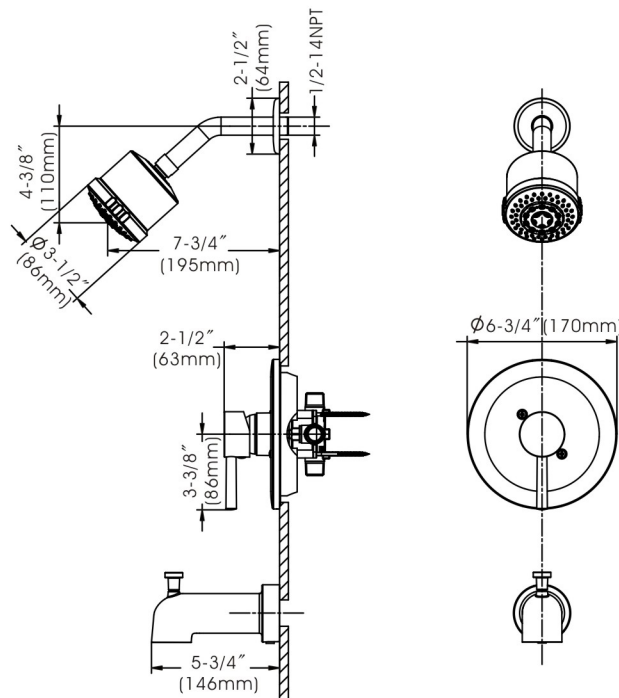
- * One Piece Pressure Balanced Ceramic Cartridge with Balancing Spool
- * Back-to-Back Installation Capability
- * 3-1/2" Five Function Shower Head
- * Metal Shower Arm with Flange
- * Metal Escutcheon with Screws
- * Zinc Handle
- * Matching Finish Trim Sleeve
- * 1.5 GPM@80 PSI Shower Head
- * 7.0 GPM@80 PSI Diverter Tub Spout with easy "Snap In" design

Project / Job Name	
Architect / Engineer	
Contractor	
Model	
Quantity	

Model No. :

192-6489 (CH)
 (Shown Model)

192-6490 (BN *Spotless PVD*)



Product Compliance:

- ASME A112.18.1 / CSA B125.1
- ANSI A117.1 (ADA)
- ASSE 1016