

Noble - Single Handle Pressure Balanced Tub & Shower Set



- * Pressure Balanced & Ceramic (Type F)
- * Solid Brass Waterway Construction with 1/2" -14 NPT Connection
- * Temperature Limited Stop
- * Integral Stops
- * 3-7/8" 3 Function Massage Plastic Shower Head with Zinc Handle
- * Stainless Steel Shower Arm
- * Stainless Steel Round Plate
- * Zinc Die Cast Tub Spout with Diverter
- * Shower Head Flow Rate: 1.5GPM @ 80PSI
- * Tub Spout Flow Rate: 6.5GPM @ 80PSI
- * 100% Pressure System Tested
- * Lifetime Limited Warranty; 5 year warranty from date of purchase for Commercial users.

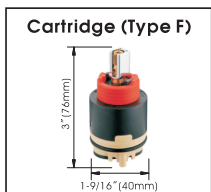
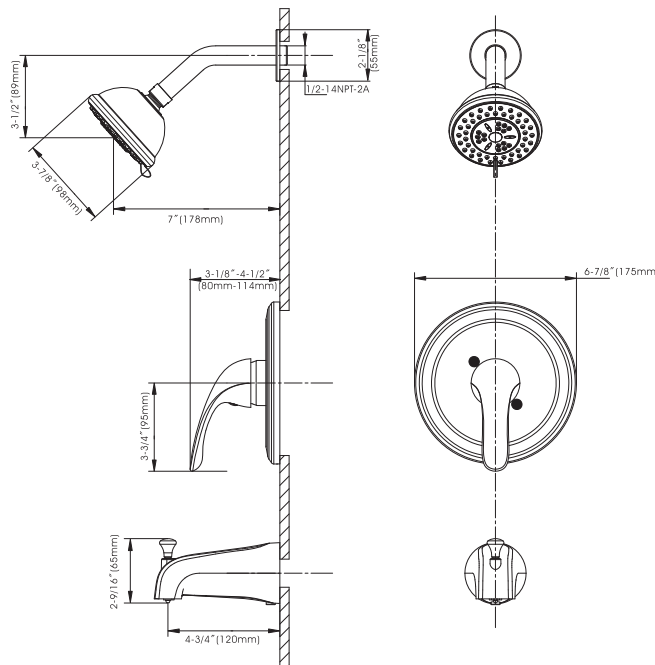
Project / Job Name	
Architect / Engineer	
Contractor	
Model	
Quantity	

Model No. :

211-6578 (CH)

211-6579 (BN *Spotless PVD*)

192-6940 (ORB)
 (Shown Model)



Product Compliance:

- ASME A112.18.1 / CSA B125.1
- ANSI A117.1 (ADA)
- ASSE 1016

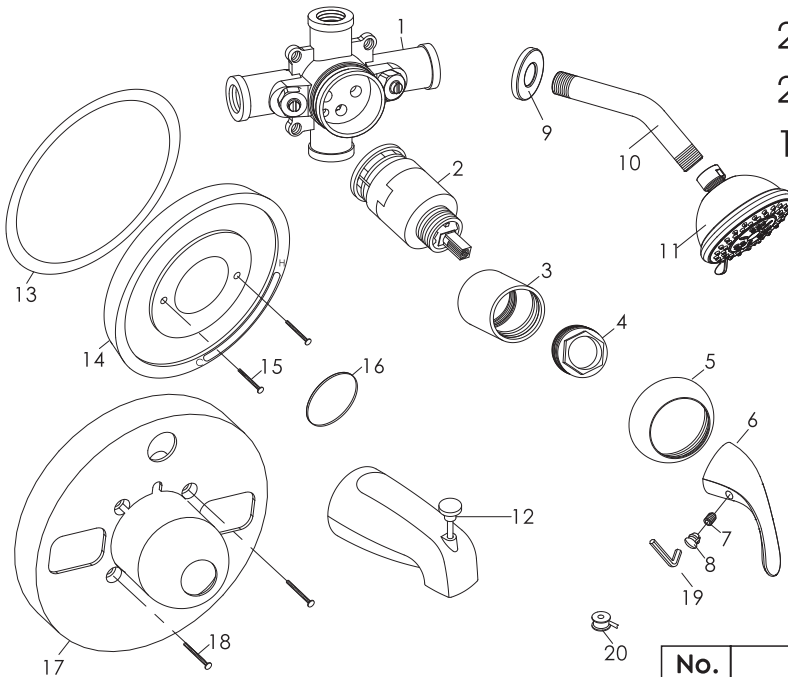
Noble - Single Handle Pressure Balanced Tub & Shower Set

Model No. :

211-6578 (Polished Chrome)

211-6579 (Brushed Nickel **Spotless PVD**)

192-6940 (Oil-Rubbed Bronze)



No.	Part Name	Material
1	Body	Brass
2	Ceramic Cartridge	Ceramic
3	Brass Sleeve	Brass
4	Lock Nut	Brass
5	Handle Base	Plastic
6	Handle	Zinc
7	Screw	Stainless Steel
8	Red/blue Button	Plastic
9	Stainless Cap	Stainless Steel
10	Shower Arm	Stainless Steel
11	Shower Head	Plastic
12	Spout	Zinc
13	Escutcheon Gasket	Rubber
14	Valve Escutcheon	Stainless Steel
15	Screw	Stainless Steel
16	White Plastic Ring	Rubber
17	Mud Guard	Plastic
18	Screw	Stainless Steel
19	2.5mm Hex Wrench	Steel
20	Teflon Tape	Plastic

Cartridge (Type F)



Technical Support: warranty@cmiproduct.com
 Hour of Operation: Mon - Fri 8:30 a.m - 5:00 p.m. EST