

Casmir - Single Handle High Arc Pull-down Kitchen Faucet

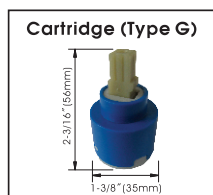
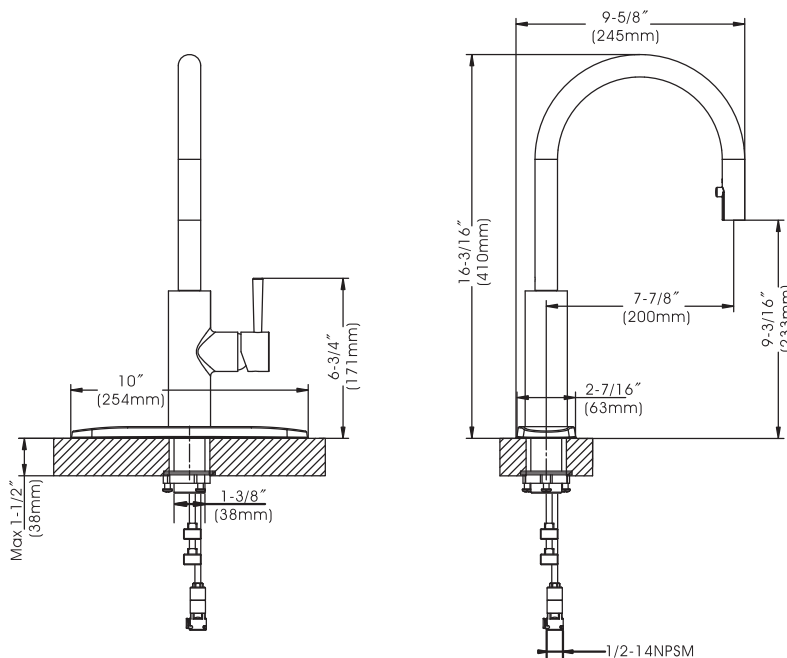


- * Includes Zinc Deck Plate for 1 or 3 Hole Installation
- * 9-3/16" High and 7-7/8" Long Spout, Zinc Handle, Zinc Body
- * 360° Swing Brass Spout
- * Copper Waterway Construction with 1/2" -14 NPSM Connection
- * Matching Plastic Single Function Pull-Down Spray Head
- * Premium Grade Ceramic Cartridge (Type G)
- * Flow Rate: 1.8GPM @ 60PSI
- * 100% Pressure System Tested
- * Lifetime Limited Warranty; 5 year warranty from date of purchase for Commercial users.

Project / Job Name	
Architect / Engineer	
Contractor	
Model	
Quantity	

Model No. :

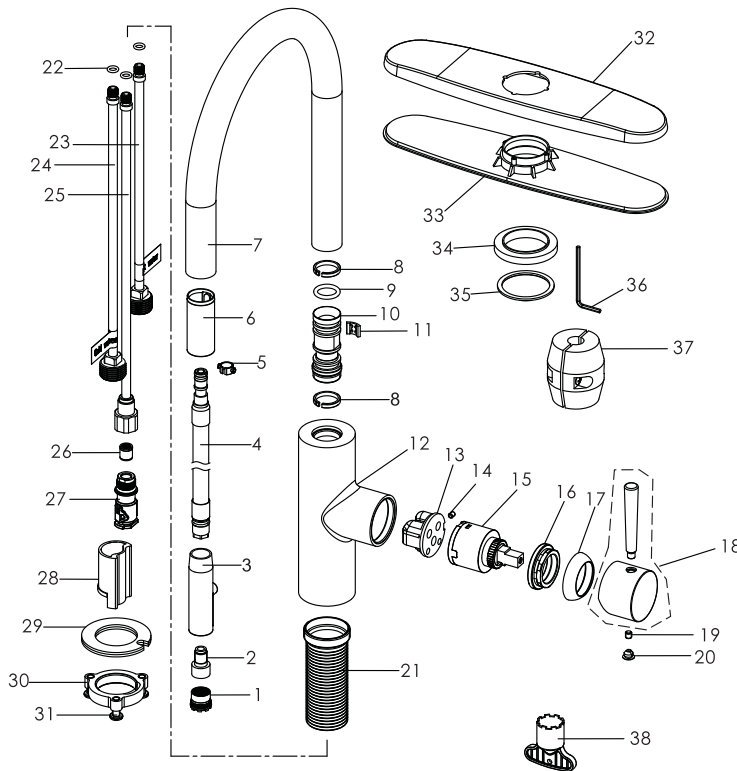
192-6483 (CH)
 192-6484 (BN Spotless PVD)
 192-7168 (MG) (Shown Model)
 192-7169 (MB)



Product Compliance:

- ASME A112.18.1 / CSA B125.1
- NSF 61 - Section 9
- NSF 372 (Low Lead Content)
- ANSI A117.1 (ADA)

Casmir - Single Handle High Arc Pull-down Kitchen Faucet



Model No. :

192-6483 (Polished Chrome)

192-6484 (Brushed Nickel **Spotless PVD**)

192-7168 (Matte Gold)

192-7169 (Matte Black)

No.	Part Name	Material
1	Aerator	Plastic
2	Connector	Brass
3	Spray Head	Plastic
4	Pull-out Hose	Nylon
5	Ring	Plastic
6	Sleeve	Plastic
7	Spout	Brass
8	Ring	Plastic
9	O-ring	Rubber
10	Connector	Brass
11	Retainer	Plastic
12	Body	Zinc
13	Cartridge Base	Brass
14	Screw	Stainless Steel
15	Cartridge	Ceramic
16	Cartridge Locknut	Brass
17	Trim Cap	Brass
18	Handle	Zinc
19	Set Screw	Stainless Steel
20	Index	Plastic
21	Shank	Stainless Steel
22	O-ring	Rubber
23	Copper Tube (Hot)	Copper
24	Copper Tube (Cold)	Copper
25	Outlet Tube	Brass
26	Stop Valve	Plastic
27	Quick Connect Assembly	Plastic
28	Protective Sleeve	Plastic
29	Gasket Assembly	Stainless Steel+Rubber
30	Lock Nut	Zinc
31	Screw	Stainless Steel
32	Deck Plate	Zinc
33	Gasket	Plastic
34	Base	Zinc
35	O-ring	Rubber
36	Allen Wrench	Steel
37	Weight	Steel+Plastic
38	Aerator Wrench	Plastic

Cartridge (Type G)



Technical Support: warranty@cmiproduct.com
Hour of Operation: Mon - Fri 8:30 a.m - 5:00 p.m. EST