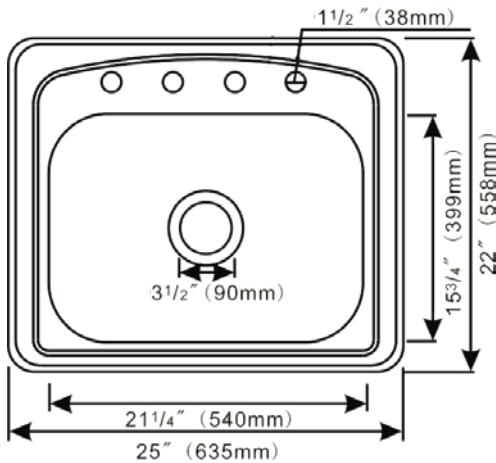


# Stainless Steel Kitchen Sink

Top-Mount Single Bowl



Model	Depth	Gauge	Hole
482-6168	8 1/2"	20G	4

## 25" x 22" Top-Mount Single Bowl

### FEATURES

- \* Premium Grade 304 Stainless Steel
- \* 8 1/2" Depth \* 20 Gauge
- \* Lustrous Satin
- \* 3 1/2" Drain Opening
- \* Fully Coated Underneath with Heavy Duty Sound Deadening Pad
- \* Includes 8 U-Channel Clips and Instructions
- \* Cutout Template on Box (DXF file Available)
- \* Limited Lifetime Warranty

### Optional Accessories



Basket Strainers



Deep Cup Basket Strainers



Garbage Disposal Flange & Stopper



Soap Dispensers

Project / Job Name			
Architect / Engineer			
Contractor			
Model		Qty	
Notes :			