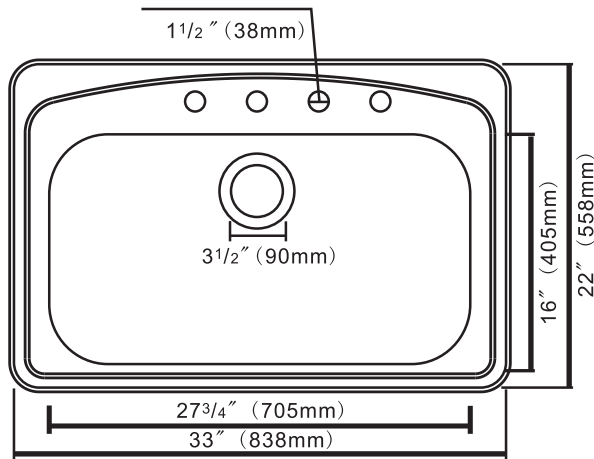


Stainless Steel Kitchen Sink

Top-Mount Single Bowl



Model	Depth	Gauge	Hole
482-6169	8 1/2"	20G	4

33" x 22" Top-Mount Single Bowl

FEATURES

- * Premium Grade 304 Stainless Steel
- * 8 1/2" Depth * 20 Gauge
- * Lustrous Satin
- * 3 1/2" Drain Opening
- * Fully Coated Underneath with Heavy Duty Sound Deadening Pad
- * Includes 10 U-Channel Clips and Instructions
- * Cutout Template on Box (DXF file Available)
- * Limited Lifetime Warranty

Optional Accessories



Basket Strainers



Deep Cup Basket Strainers



Soap Dispensers

Project / Job Name			
Architect / Engineer			
Contractor			
Model		Qty	
Notes :			