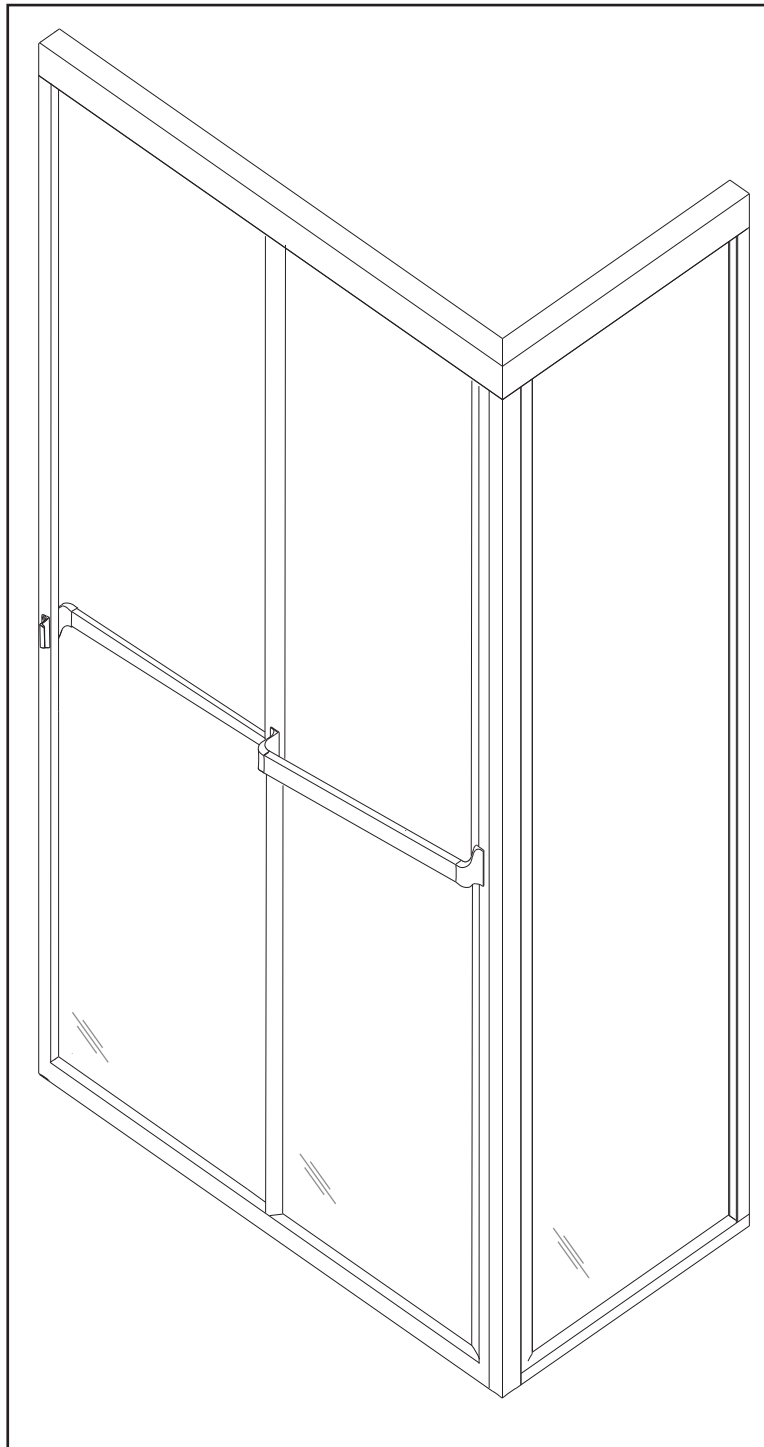
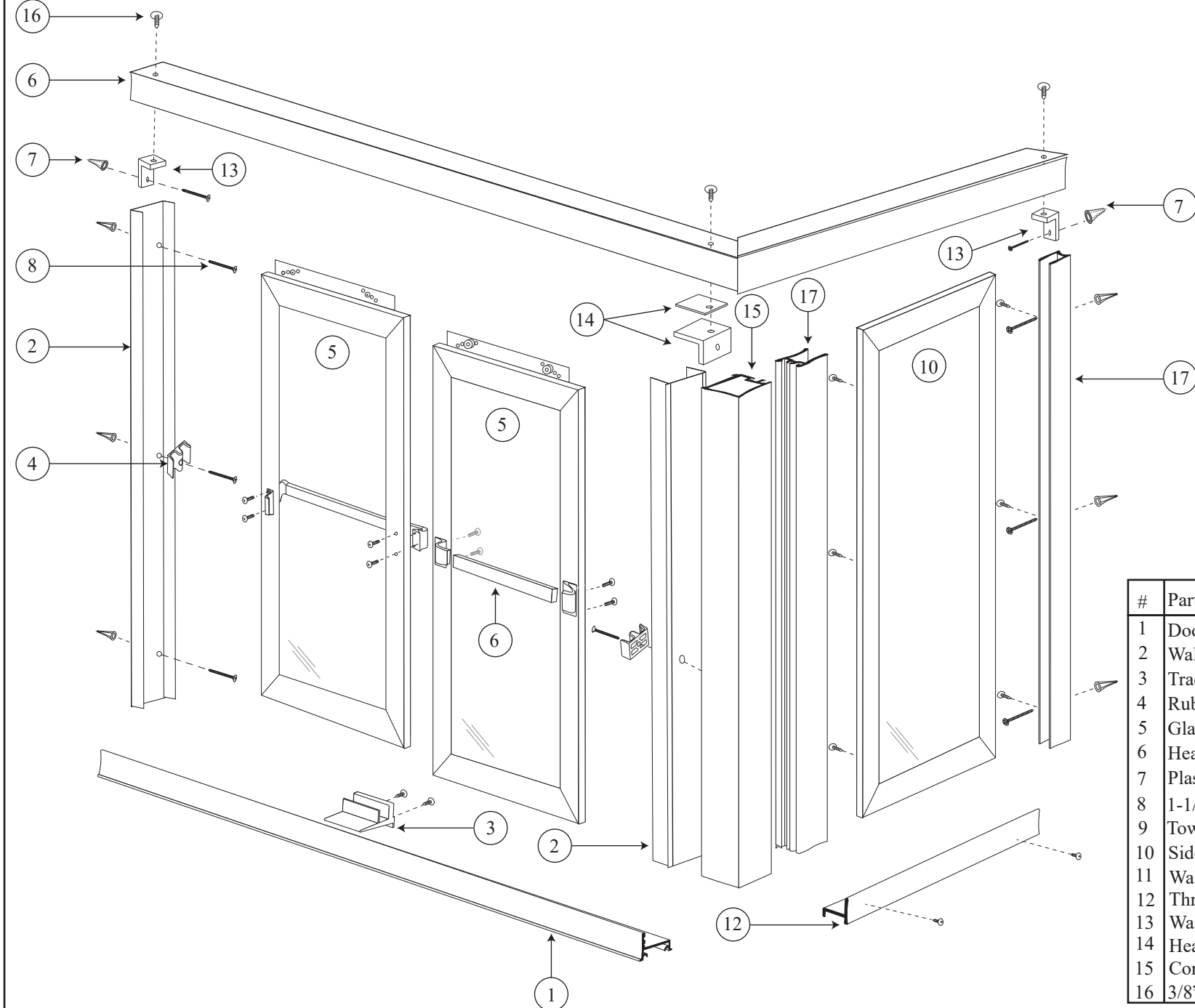


L-636  
Centec Framed Sliding Door  
Installation Guide



Detailed diagram of L-636 components



#	Part Name	Qty
1	Door track	1
2	Wall jamb	2
3	Track guide	1
4	Rubber bumpers	2
5	Glass door	2
6	Header	1
7	Plastic wall anchors	6
8	1-1/4" wall mount screws	6
9	Tower bar kit	2
10	Sidelight glass panel	1
11	Wall channel upright	2
12	Threshold	1
13	Wall bracket	2
14	Header angle bracket/ Top plate	1
15	Corner post	1
16	3/8" panhead screws	10

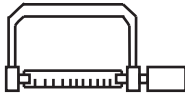
**Tools required**



Tape Measure



Level



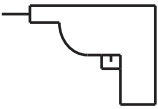
Hacksaw



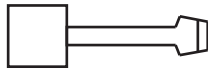
Safety glasses



Drill bits (2) (#32 metal bit,  
3/16" carbide masonry bit)



Drill



Flat head and  
Phillips head  
Screwdriver



Pencil/Marker



Caulking gun



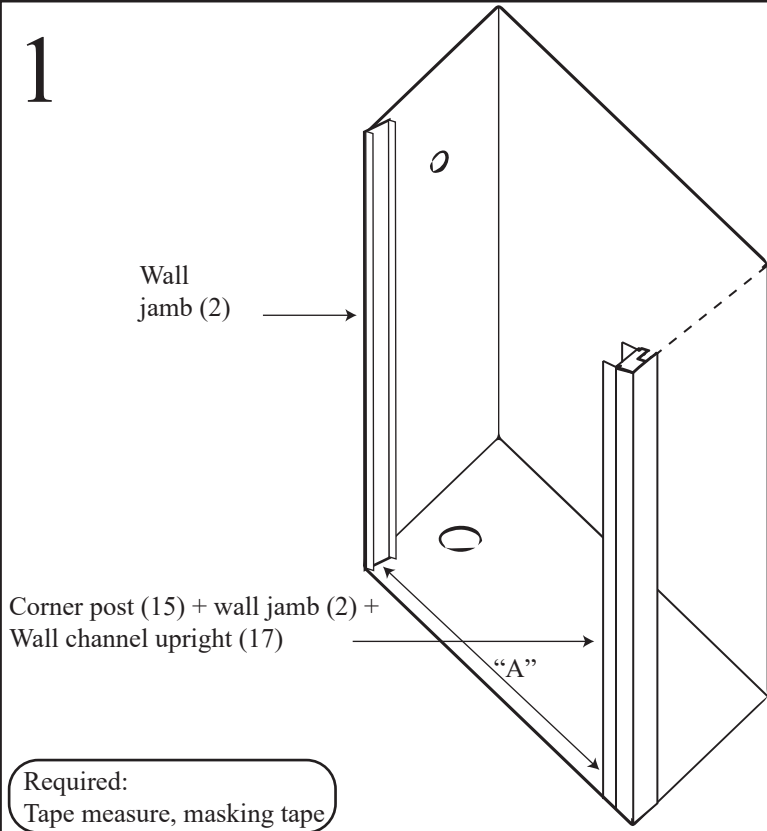
Masking tape



**WARNINGS**

- \*\*Before starting, please read instructions carefully and thoroughly; then proceed step by step.
- \*\*Please wear safety glasses and safety gloves whenever drilling or cutting tile or handling metal/glass parts.
- \*\*When drilling through tile, carefully break through glazed surface only with sharp tool and then drill slowly.
- \*\*Wall uprights must be installed level and plumb. Do not follow grout lines.
- \*\*To insure complete customer satisfaction Century Bathworks recommends installation by a professional.
- \*\*Risk of injury or product damage. Two people should perform this installation.
- \*\*Do not cut the top and bottom track the same length for this installation.
- \*\*Please carefully unpack all parts for your unit as listed on previous page and also check that you have all the tools as listed above.
- \*\*If any parts are missing or damaged, please contact Century Bathworks or your dealer for replacements.

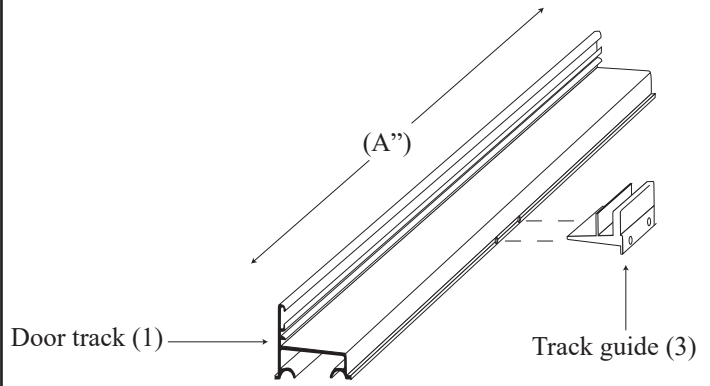
1



Required:  
Tape measure, masking tape

- Place wall jamb sticking to wall and tape into place.
- Place corner post assembly at corner of unit and tape into place. Tape corner post at base or let someone hold it temporarily.
- Note distance "A" between the inside of wall jambs at base.

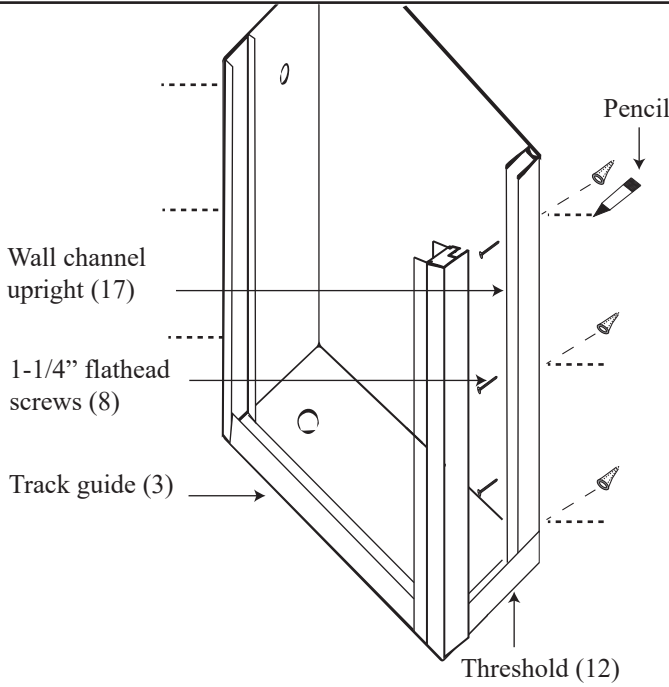
2



Required:  
Tape measure, hacksaw, pencil, drill

- Consider the length "A" and cut the door track. Locate the center of door track and position track guide.
- With the guide in position, mark holes and drill using #32 drill bit through the inside leg. (Do not screw until step 12)

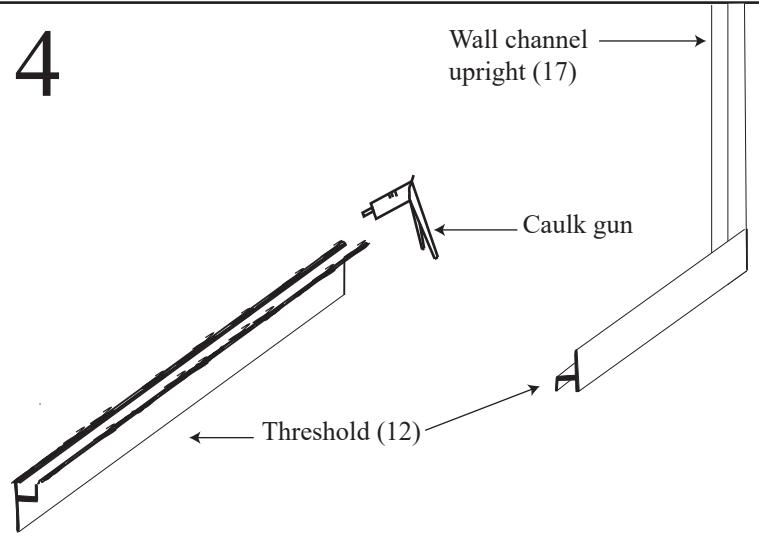
3



Required:  
Pencil, drill, masking tape, drill, screwdriver

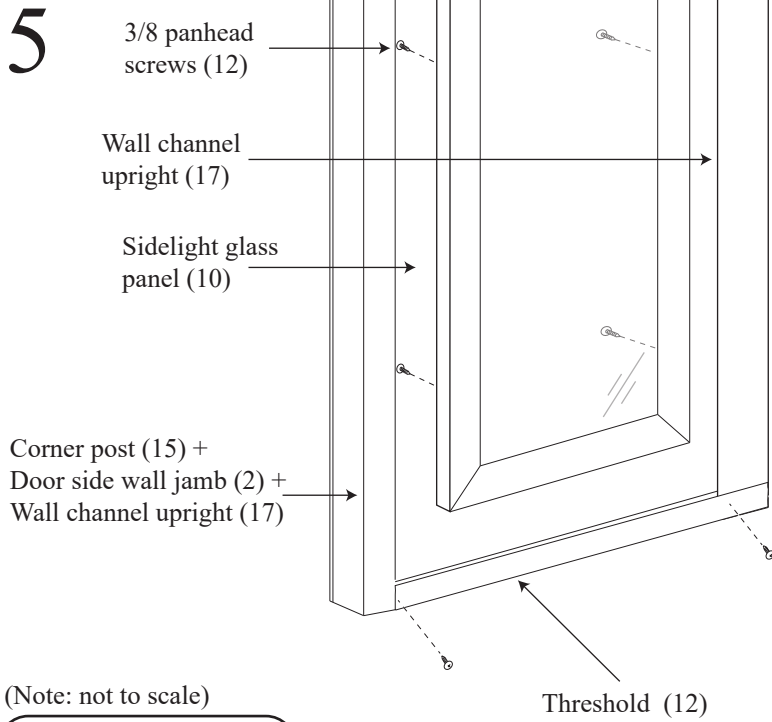
- Place threshold on base of unit and then place wall channel upright sticking to wall on top of it. Hold in place with masking tape. Make sure it is level and plumb. Also place door track in between jambs. Mark holes on wall. Remove upright, wall jamb, track and threshold.
- Drill holes with 3/16" carbide masonry drill bit. Remove all wall debris. Insert plastic wall anchors into wall.

4



Required:  
Caulk gun, screwdriver

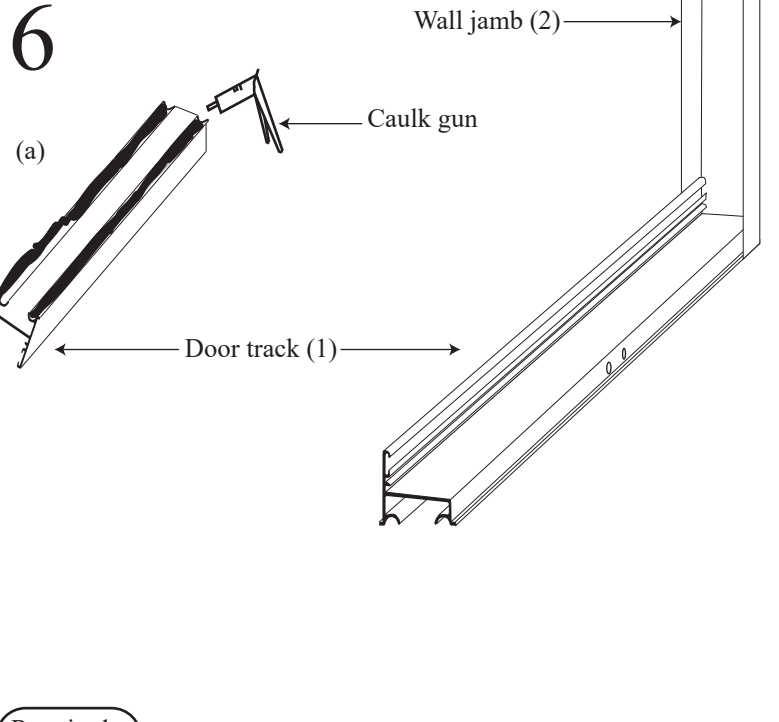
- Apply a thin ribbon of caulk to both channels on bottom of threshold.
- After caulking, place threshold on base of unit and stand upright against wall resting on threshold then screw wall channel upright to wall with 1-1/4" panhead screws and secure into place.



(Note: not to scale)

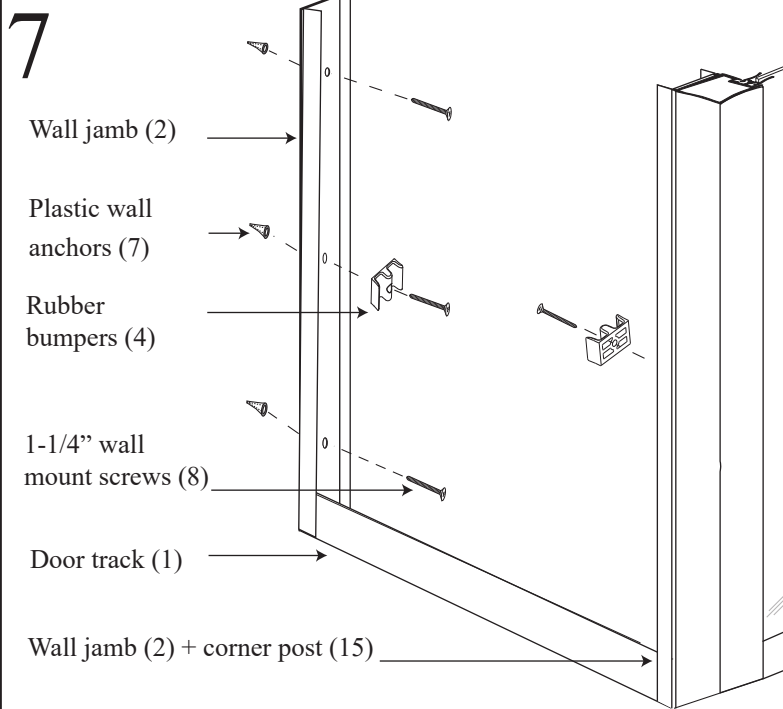
**Required:**  
Drill, screwdriver, pencil

- Place sidelight glass panel on threshold half-way inside wall channel upright. Tilt corner post assembly and place sidelight panel then slide corner post assembly in panel.
- Mark, drill holes and screw wall channel upright + panel and wall channel upright + threshold with 3/8" panhead screws.



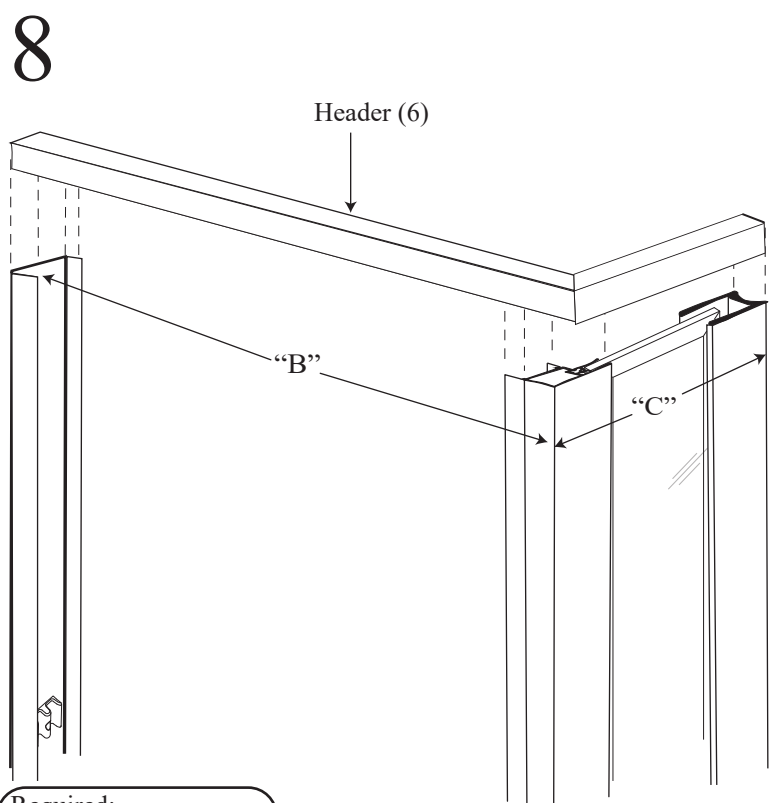
**Required:**  
Caulk gun

- Apply a thin ribbon of caulk to both caulking channels on bottom track.
- After caulking, place the door track and wall jambs on the base surface.
- Door track sits in between the wall jambs.



**Required:**  
Caulk gun, screwdriver, pencil/marker, drill

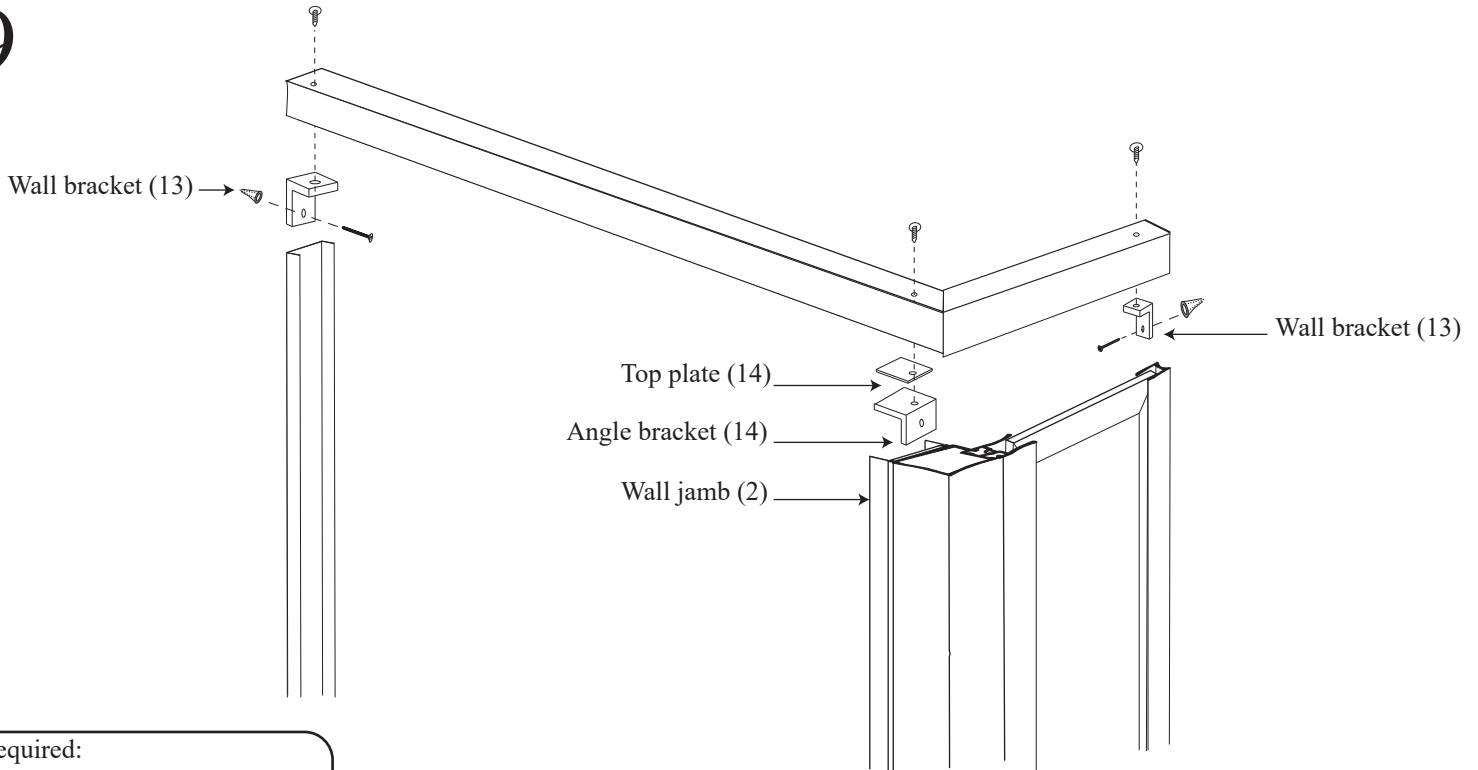
- Insert plastic wall anchors in drilled wall holes. Mark and drill holes on corner post through wall jamb. Place wall bumpers sticking to the wall and corner post. Fix bumpers in position with 1-1/4" screws for wall jambs. Do not over tighten.
- Caulk the inside corner where wall jamb caps over bottom track.



**Required:**  
Tape measure, hacksaw

- Measure the distance "B" and "C". Cut the header from the long end side and place it on top.
- Check fit, do not fix the header at this step.

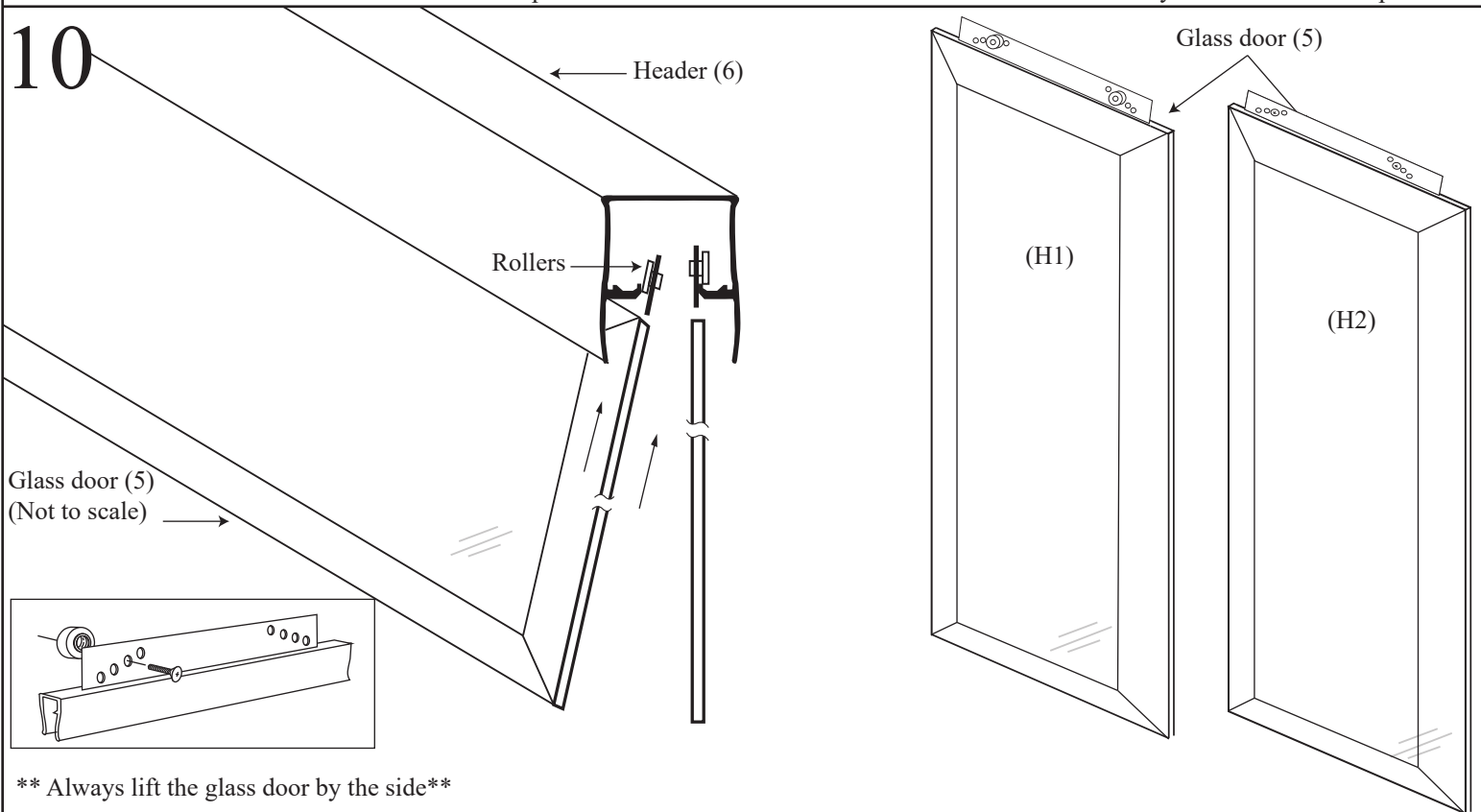
9



Required:  
Pencil/marker, drill, screwdriver

- Place the wall bracket carefully inside in the header sticking to wall and inside top of header. Mark and drill holes on wall and on top of header.
- Only screw the wall bracket on wall with 1-1/4" panhead screw. Follow this step on both ends of the header.
- Screw the top plate on header angle bracket and slide in the header,
- Mark and drill a hole on wall jamb with the self drilling screw to fit the header angle bracket.
- Also screw the wall bracket to the header from top/bottom of the header on both sides of wall. Header assembly should now be complete.

10

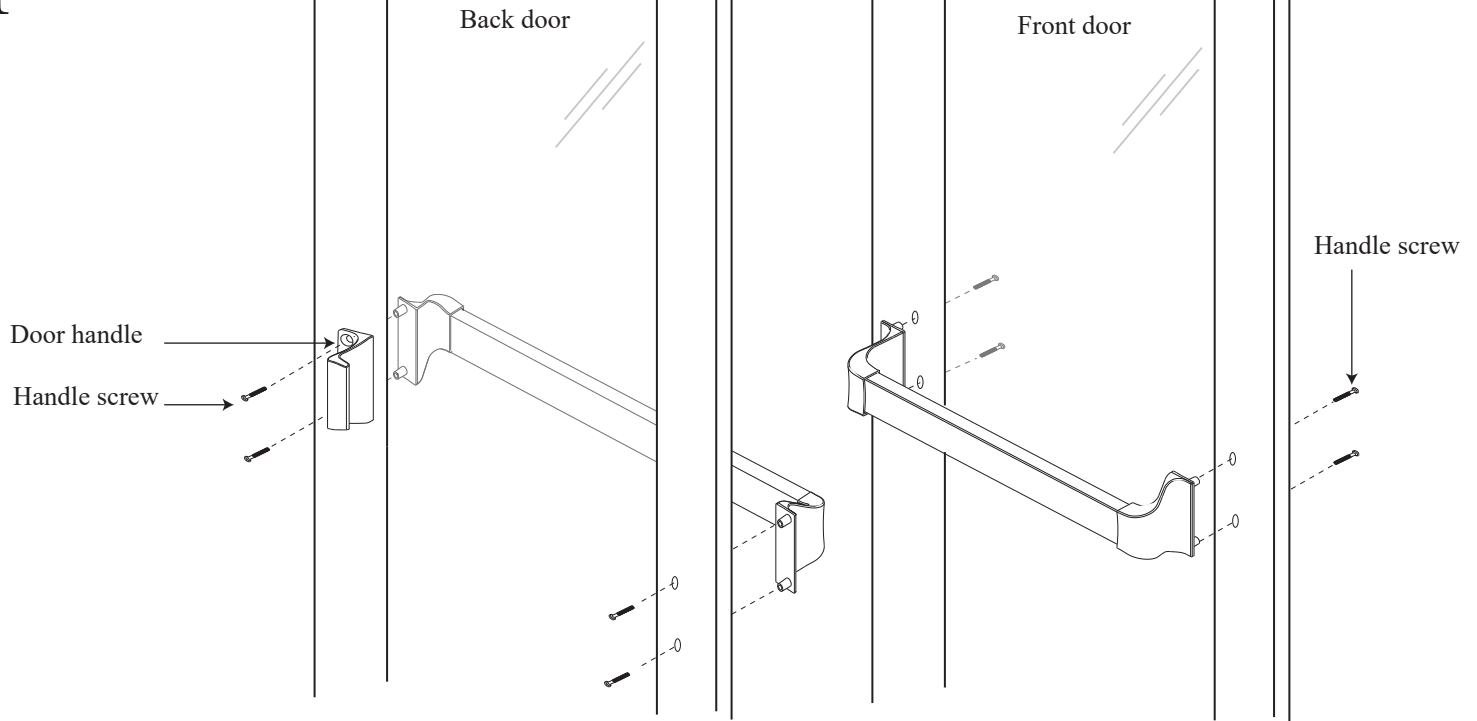


**\*\* Always lift the glass door by the side\*\***

- Label doors (H1) outside door (rollers facing outside of the unit) and (H2) inside door (rollers facing inside of the unit). Smooth side of glass is always facing inside the unit. Install the inside door first and insert the roller into the header section. Rest rollers on the groove of the header. Repeat the procedure for the outside of the door. For out-of-level tub/walls, adjustment rollers holes are provided.

**\*\* Be extremely careful not to hit the edge of the glass when installing.**

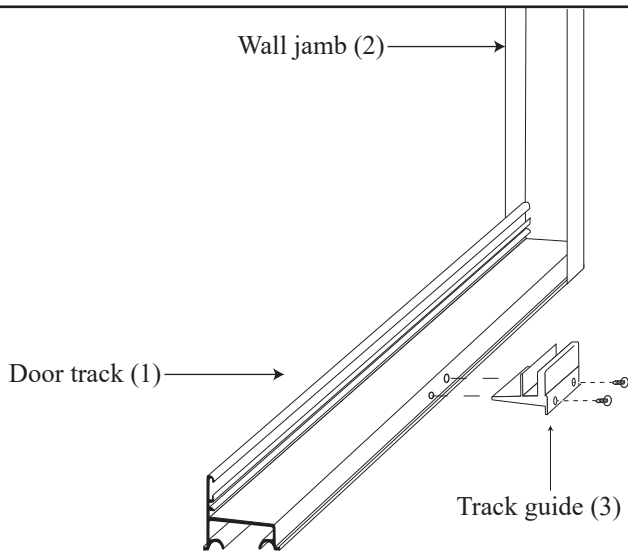
11



Required:  
Screwdriver

- Screw the towel bar with the exact series arrangement as shown above.
- Also, screw towel bar from inside of unit for other door.

12

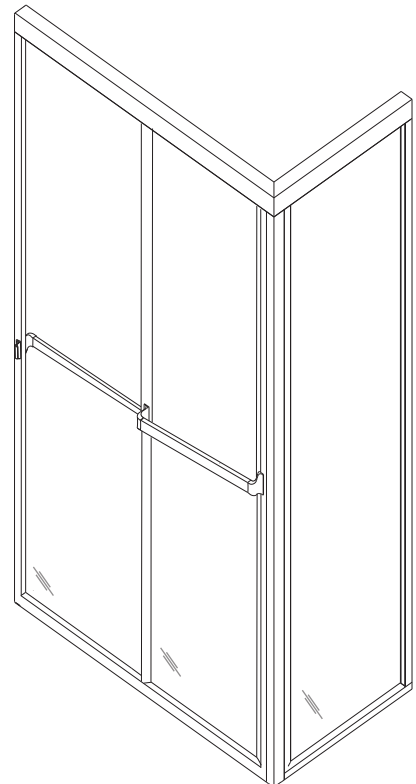


(NOTE: Only the track guide, wall jamb and door track is shown)

Required:  
Screwdriver

- Slide the door on one side of the unit and then screw track guide to door track with 3/8 panhead screws.
- Making sure doors slide through groove easily.

13



Required:  
Caulk gun

- On completion of assembly and installation, caulk entire inside of the unit where it meets the wall and the base and the outside of door track where it meets the walls and base to prevent water leakage. Wait for 24 hours before using, for silicone to dry.