



Diamond Tub & Showers Spec Sheet

Model: SR4 363777/79 (77" Shown)

Description: 4 Piece "Pin System" Remodeler Shower Unit

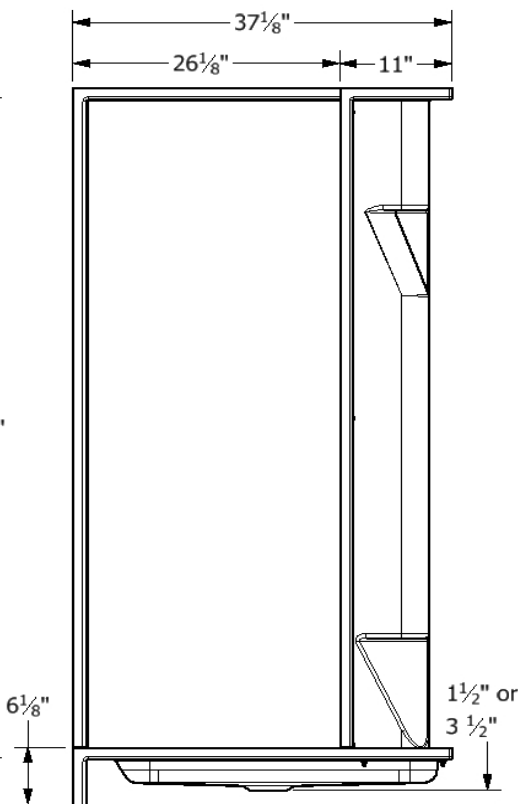
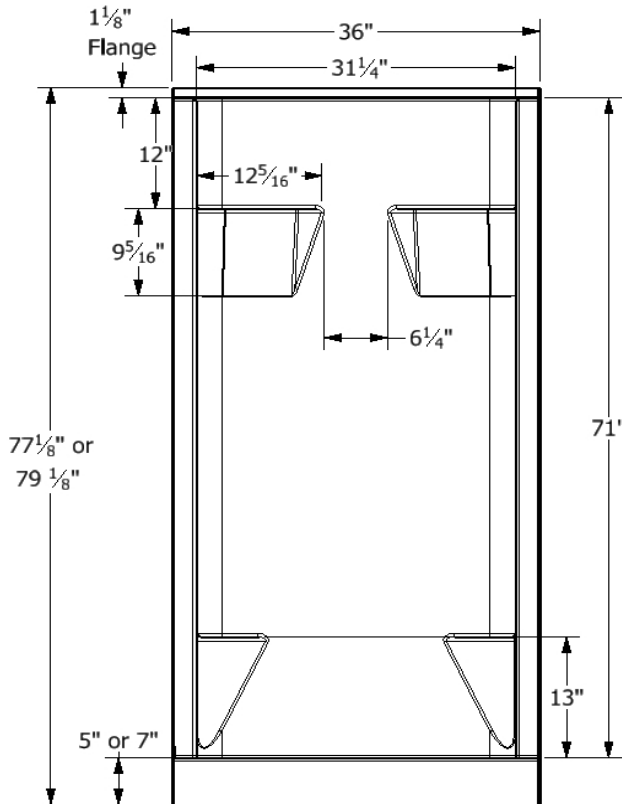
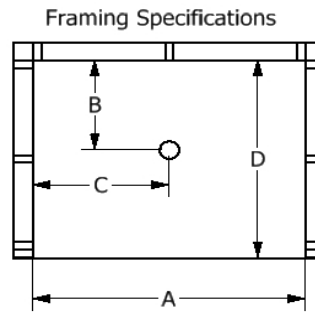
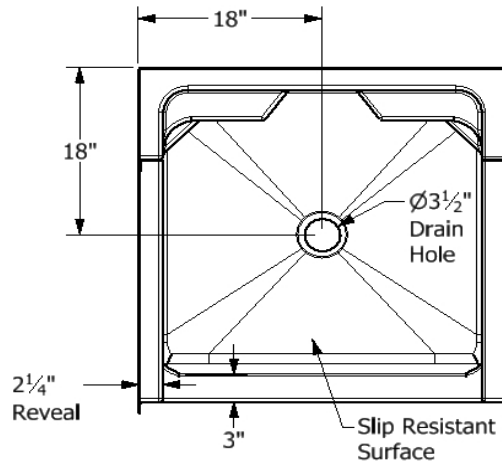
Specifications

Model #	Material	Wall Finish	Pieces	Drain	Threshold Height	Net Weight Lbs.
SR4 363777/79	Fiberglass/Gelcoat	Smooth	4	Center	5" / 7"	

Enclosure Opening	
Width	Height
31 1/4"	71"

Framing Dimensions

A	B	C	D
36"	18"	18"	37 1/8"



This product is tested by ICC-ES and is certified to conform to the requirements of CSA B45.5/IAMPO Z124 standard.

Manufactured by Frontline Mfg., Inc. Warsaw, IN
 ICC-ES PMG 5/31/19