



Diamond Tub & Showers Spec Sheet

Model: T 542876/T542876 Slick Center E

Description: Tub/Shower Combo 1 Piece Unit

Specifications

Model #	Material	Wall Finish	Pieces	Drain	Apron Height	Net Weight Lbs.
T 542876	Fiberglass/Gelcoat	Smooth	1	Center	17"	

Sump Data

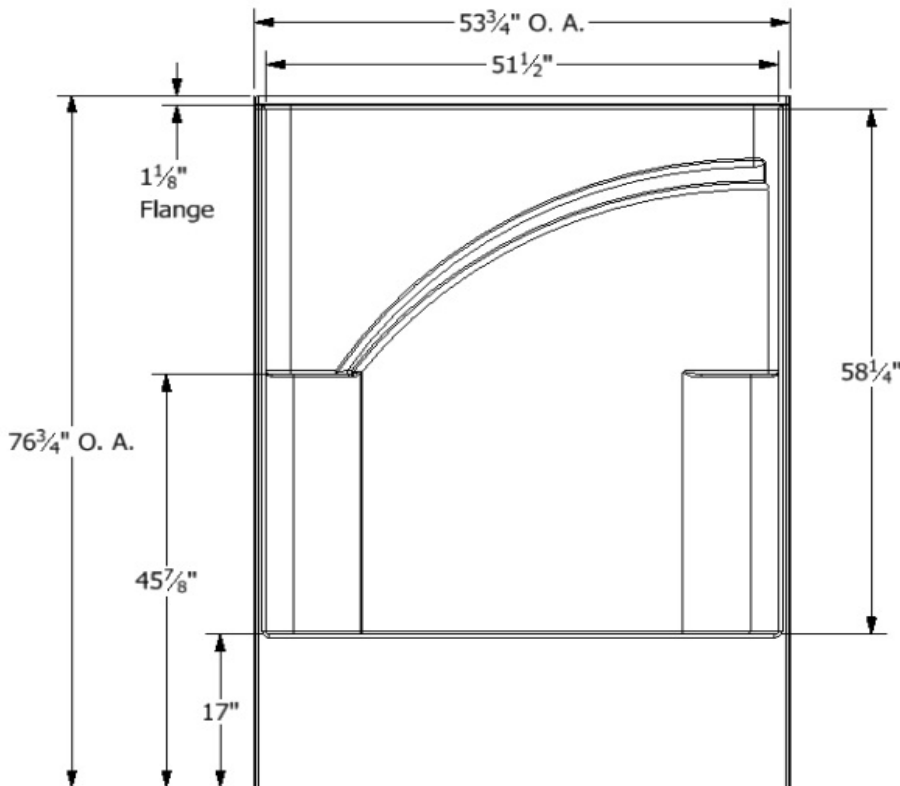
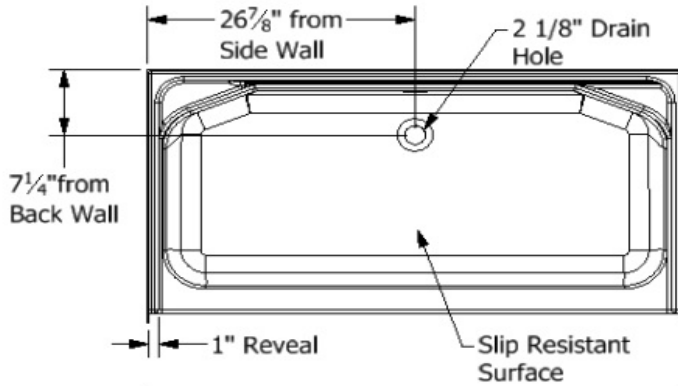
Top of Drain to Bottom of Overflow	Capacity to Overflow Gallons	Top Dimensions		Bottom Dimensions	
		Length	Width	Length	Width
9 1/4"	36.1	50 5/8"	22 3/4"	42 7/8"	15 3/4"

Framing Dimensions

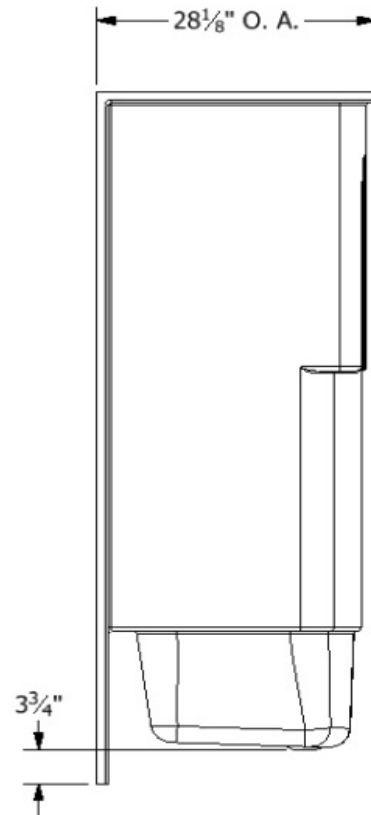
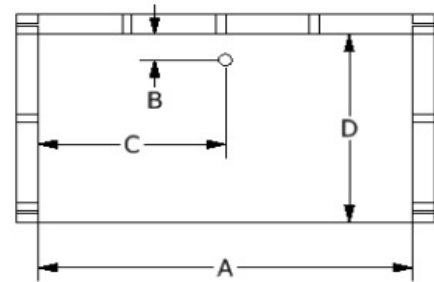
A	B	C	D
53 3/4"	7 1/4"	26 7/8"	28 1/8"

Enclosure Opening

Length	Width
51 1/2"	58 1/4"



Framing Specifications



This product is tested by ICC-ES and is certified to conform to the requirements of CSA B45.5/IAMPO Z124

Manufactured by Front Line Mfg., Inc. Warsaw, IN



6/5/19