

**Diamond** TUB & SHOWERS  
www.diamondtubshowers.com where design and durability meet

## Diamond Tub & Showers Spec Sheet

Model: T 603076/T 6030 Slick Back Center Drain

Description: Tub/Shower Combo 1 Piece Unit

### Specifications

Model #	Material	Wall Finish	Pieces	Drain	Apron Height	Net Weight Lbs.
T 6030	Fiberglass/ Gelcoat	Smooth	1	Back Center	16"	

### Sump Data

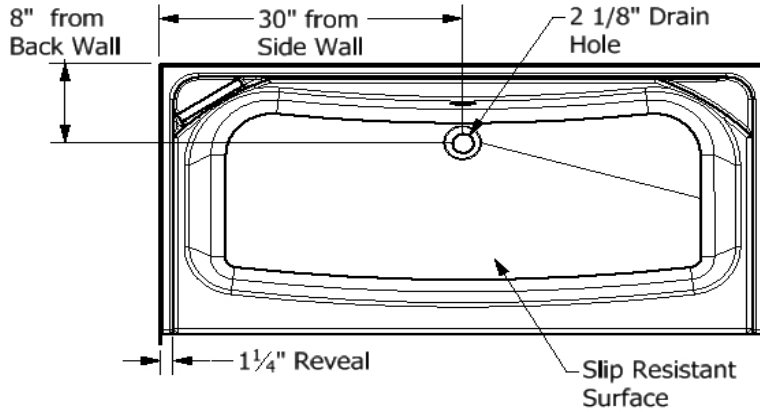
Top of Drain to Bottom of Overflow	Capacity to Overflow Gallons	Top Dimensions		Bottom Dimensions	
		Length	Width	Length	Width
8 1/8"	33.9	55"	23"	47"	17"

### Framing Dimensions

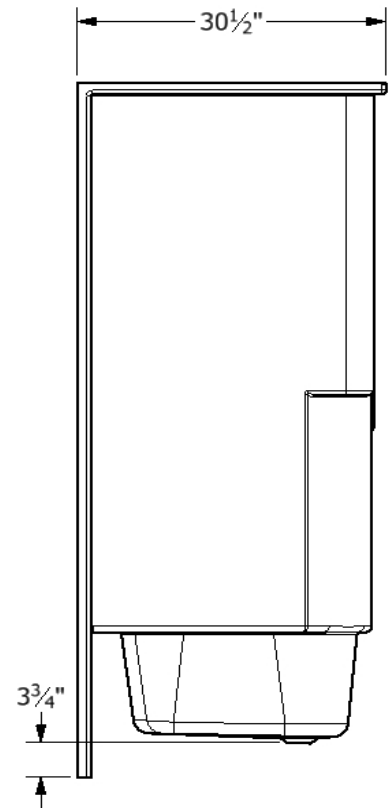
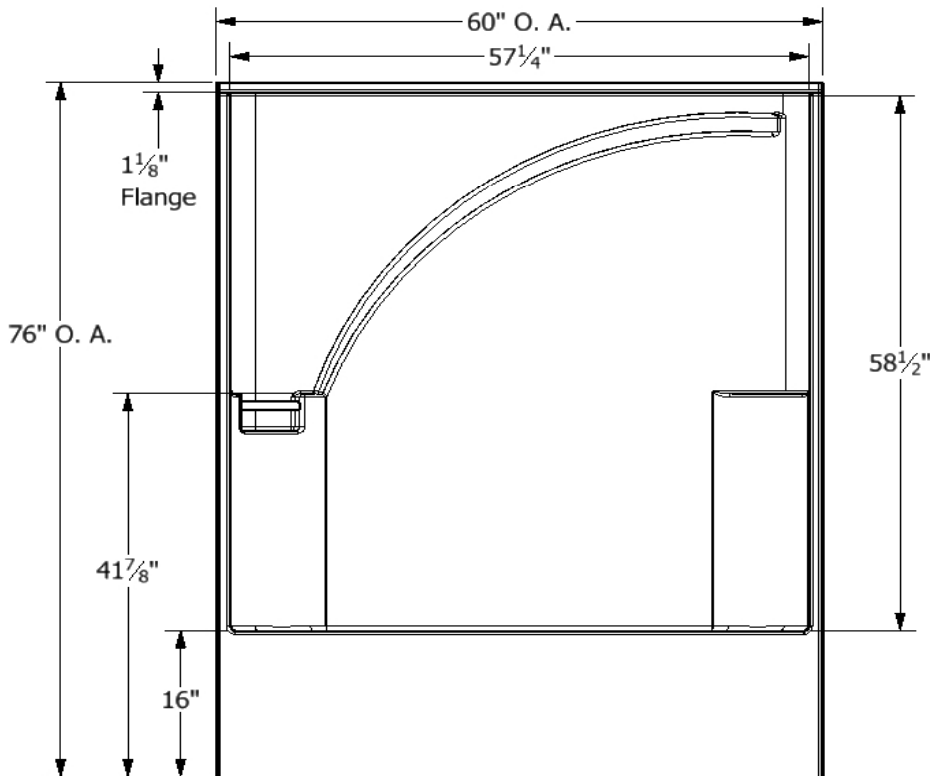
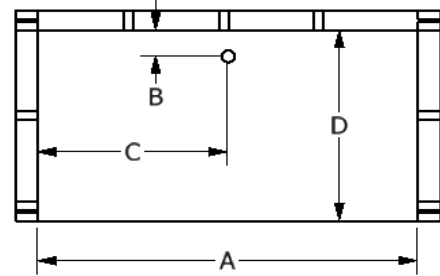
A	B	C	D
60 1/8"	8"	30"	30 1/2"

### Enclosure Opening

Length	Width
57 1/4"	58 1/2"



### Framing Specifications



This product is tested by ICC-ES and is certified to conform to the requirements of CSA B45.5/IAMPO Z124

Manufactured by Frontline Mfg., Inc. Warsaw, IN



6/5/19