

Centennial Tub & Showers Spec Sheet
Model: TC 603076 C (TC 6030XX C)

Description: Tub/Shower Combo Centennial Back Center Drain

Specifications

Model #	Material	Wall Finish	Pieces	Drain	Apron Height	Net Weight Lbs.
TC 603076	Fiberglass/ Gelcoat	Smooth	1	Back Center	17"	

Sump Data

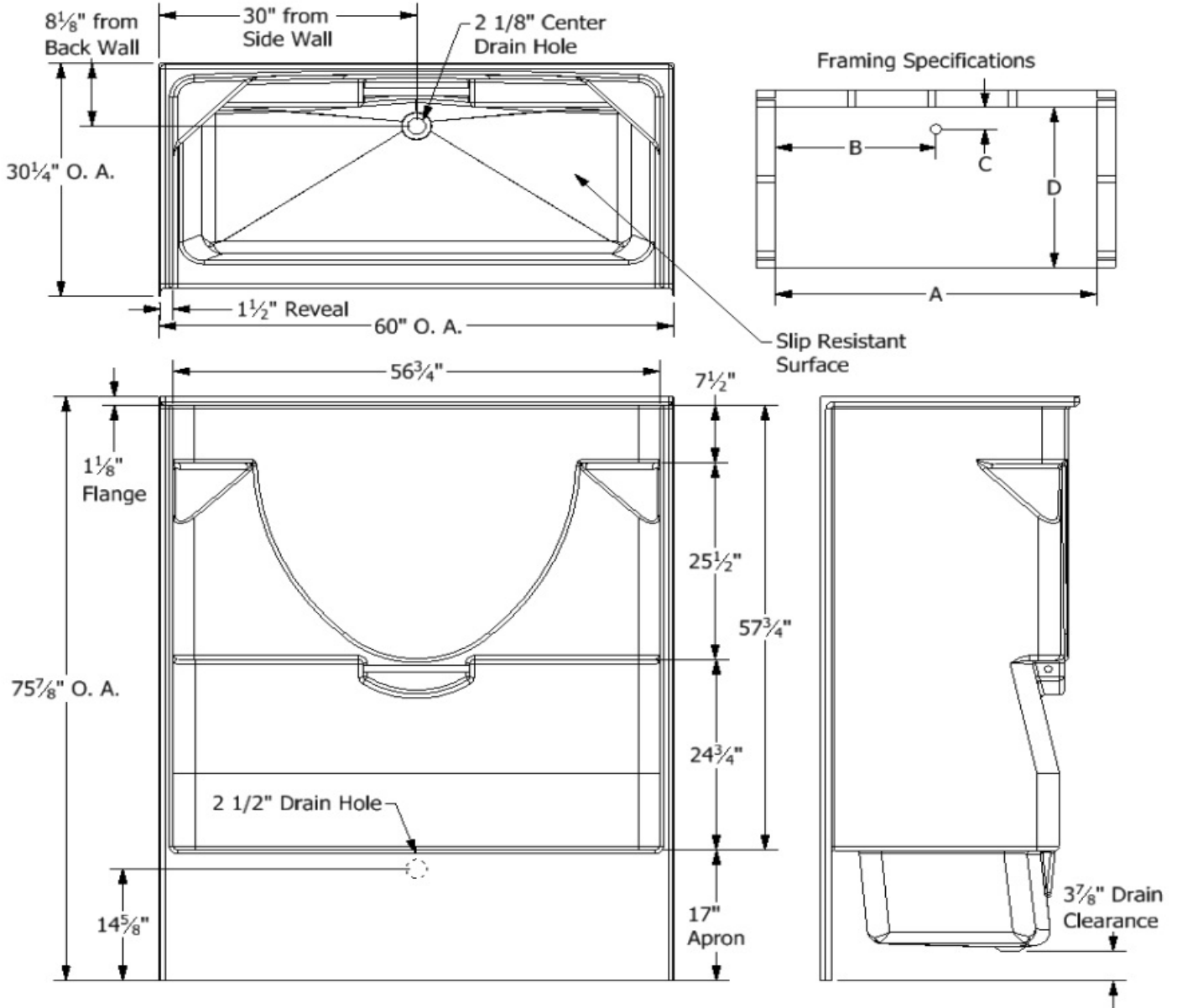
Top of Drain to Bottom of Overflow	Capacity to Overflow Gallons	Top Dimensions		Bottom Dimensions	
		Length	Width	Length	Width
9 1/4"	37.5	54 1/4"	23 1/4"	45"	20 1/2"

Framing Dimensions

A	B	C	D
60 1/8"	30"	8 1/8"	33 1/4"

Enclosure Opening

Width	Height
56 3/4"	57 3/4"



Misc. Information

Slope	1/4" / Foot, Minimum 1 Degree - Maximum 4 Degrees
Tolerances	+ 0 / -1/4"
Other Info	

This product is tested by ICC-ES and is certified to conform to the requirements of CSA B45.5/IAMPO Z124 standard.

Manufactured by Frontline Mfg., Inc. Warsaw, IN



7/23/19