

**Centennial Tub & Showers Spec Sheet**

**Model: TC 603375/77 R/L (TC 603377 Right Shown)**

**Description: Centennial One Piece Tub/Shower Combo**

**Specifications**

Model #	Material	Wall Finish	Pieces	Drain	Apron Height	Net Weight Lbs.
TC 603375/77 R/L	Fiberglass/Gelcoat	Smooth	1	LH/RH	15"/17"	

**Framing Dimensions**

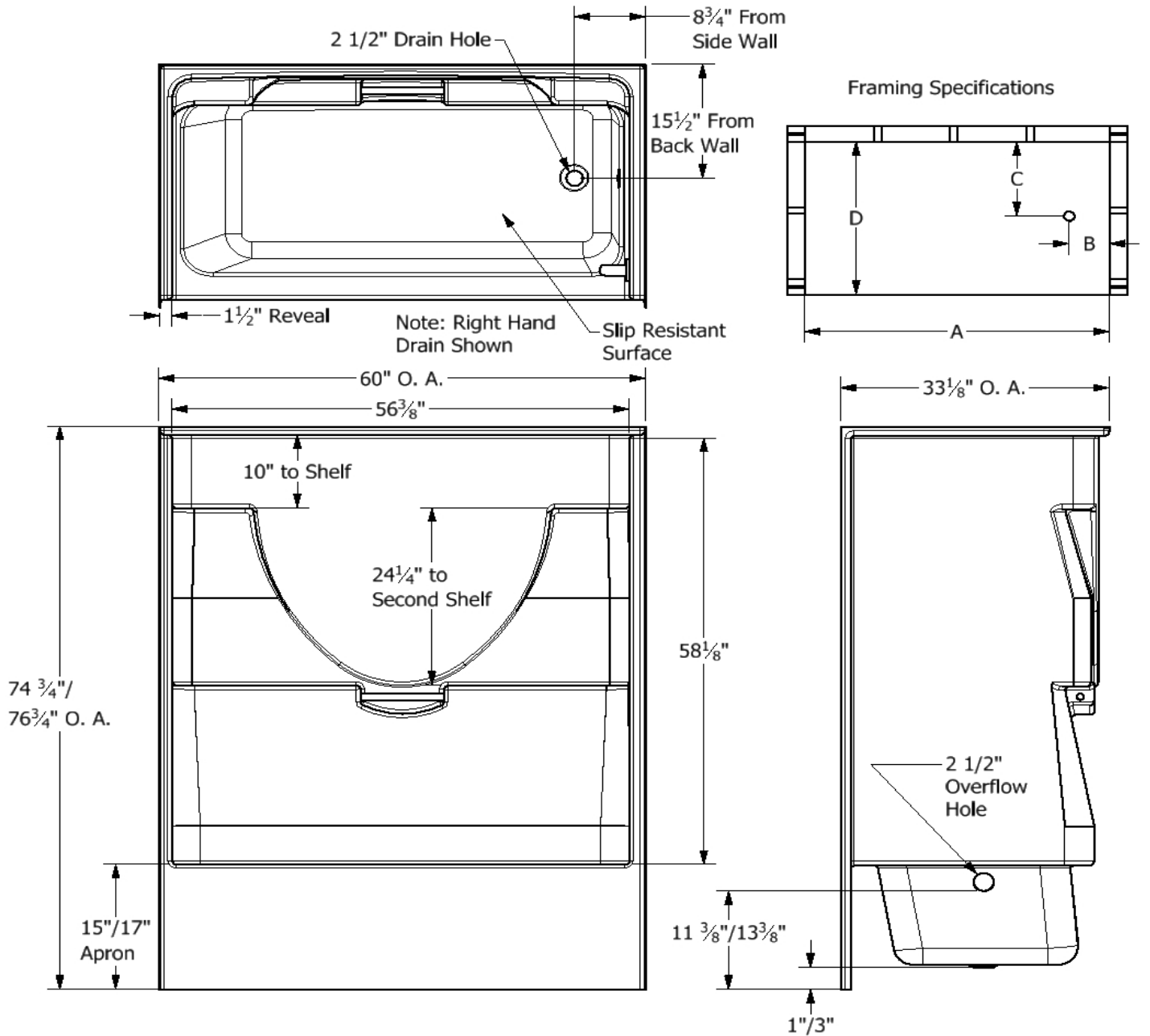
A	B	C	D
60 1/8"	8 3/4"	15 1/2"	33 1/8"

**Sump Data**

Top of Drain to Bottom of Overflow	Capacity to Overflow Gallons	Top Dimensions		Bottom Dimensions	
		Length	Width	Length	Width
11 3/8 or 13 3/8"	44.0	54 1/4"	23 1/4"	45"	20 1/2"

**Enclosure Opening**

Width	Height
56 3/8"	58 1/8"



**Misc. Information**

Slope	1/4" / Foot, Minimum 1 Degree - Maximum 4 Degrees
Tolerances	+ 0 / - 1/4"
Other Info	

This product is tested by ICC-ES and is certified to conform to the requirements of CSA B45.5/IAMPO Z124 standard.

Manufactured by Frontline Mfg., Inc. Warsaw, IN



7/23/19