

Diamond TUB & SHOWERS
www.diamondtubshowers.com where design and durability meet

Diamond Tub & Showers Spec Sheet

Model: TT 603073 Back Center Drain

Description: Tub/Shower Combo 1 Piece Unit

Specifications

| Model # | Material | Wall Finish | Pieces | Drain | Apron Height | Net Weight Lbs. |
|-----------|--------------------|-------------|--------|-------------|--------------|-----------------|
| TT 603073 | Fiberglass/Gelcoat | Smooth | 1 | Back Center | 13" | |

Sump Data

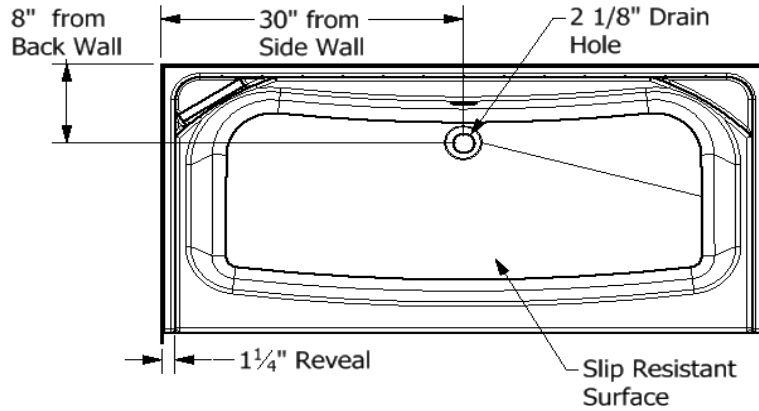
| Top of Drain to Bottom of Overflow | Capacity to Overflow Gallons | Top Dimensions | | Bottom Dimensions | |
|------------------------------------|------------------------------|----------------|-------|-------------------|-------|
| | | Length | Width | Length | Width |
| 8" | 33.9 | 55" | 23" | 47" | 17" |

Framing Dimensions

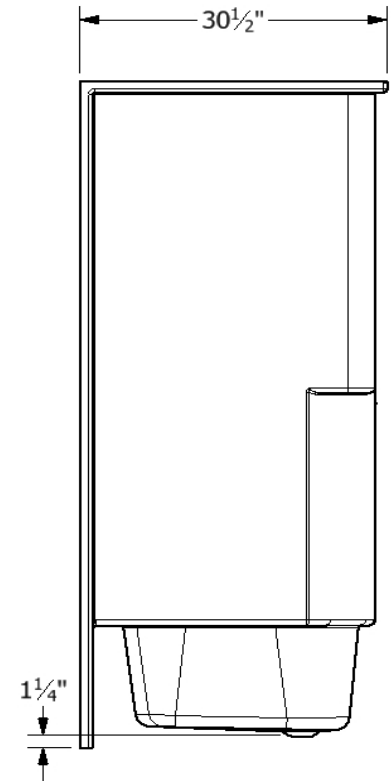
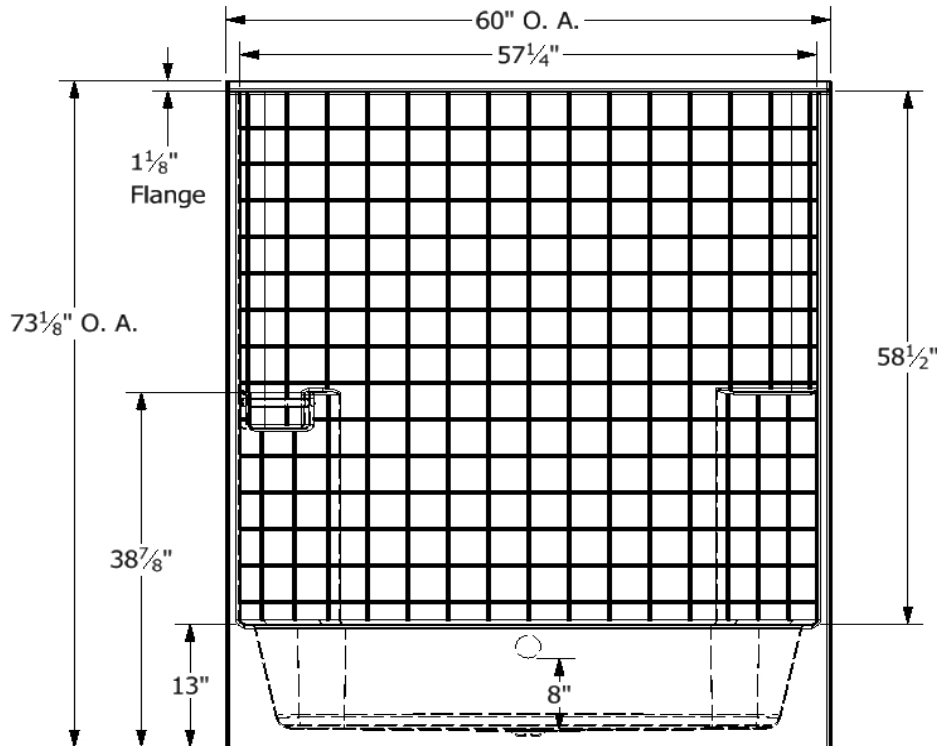
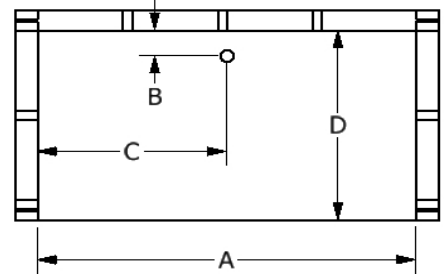
| A | B | C | D |
|---------|----|-----|---------|
| 60 1/8" | 8" | 30" | 30 1/2" |

Enclosure Opening

| Length | Width |
|---------|---------|
| 57 1/4" | 58 1/2" |



Framing Specifications



This product is tested by ICC-ES and is certified to conform to the requirements of CSA B45.5/IAMPO Z124 standard.

Manufactured by Frontline Mfg., Inc. Warsaw, IN



6/5/19