



# Diamond Tub & Showers Spec Sheet

Model: TT 603677 or 79 R/L (79" Right Shown)

Description: Tub/Shower Combo 1 Piece Unit

## Specifications

Model #	Material	Wall Finish	Pieces	Drain	Apron Height	Net Weight Lbs.
TT 603677/79	Fiberglass/Gelcoat	Smooth	1	R/L	20"	

## Sump Data

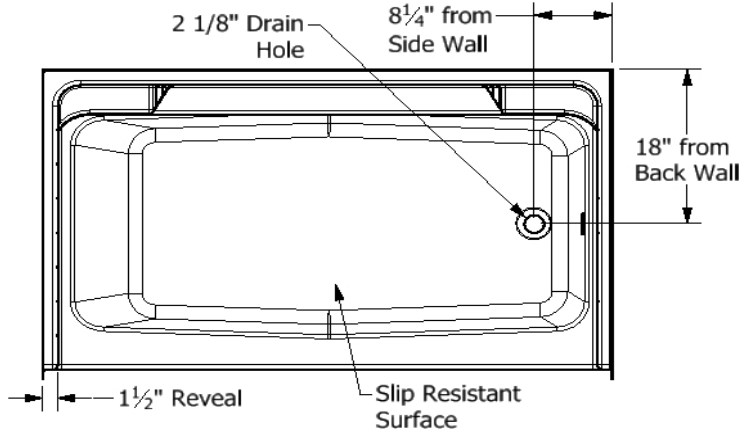
Top of Drain to Bottom of Overflow	Capacity to Overflow Gallons	Top Dimensions		Bottom Dimensions	
		Length	Width	Length	Width
12 7/16"	58.0	54 1/2"	26 1/4"	46 1/4"	23 1/2"

## Framing Dimensions

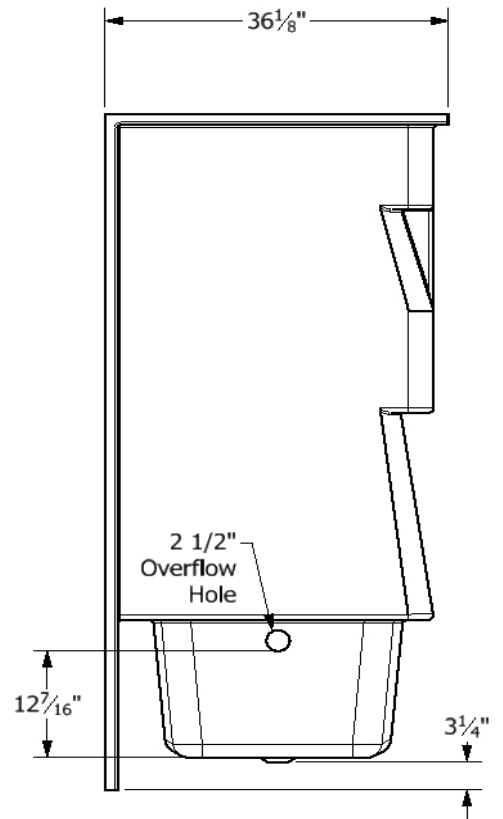
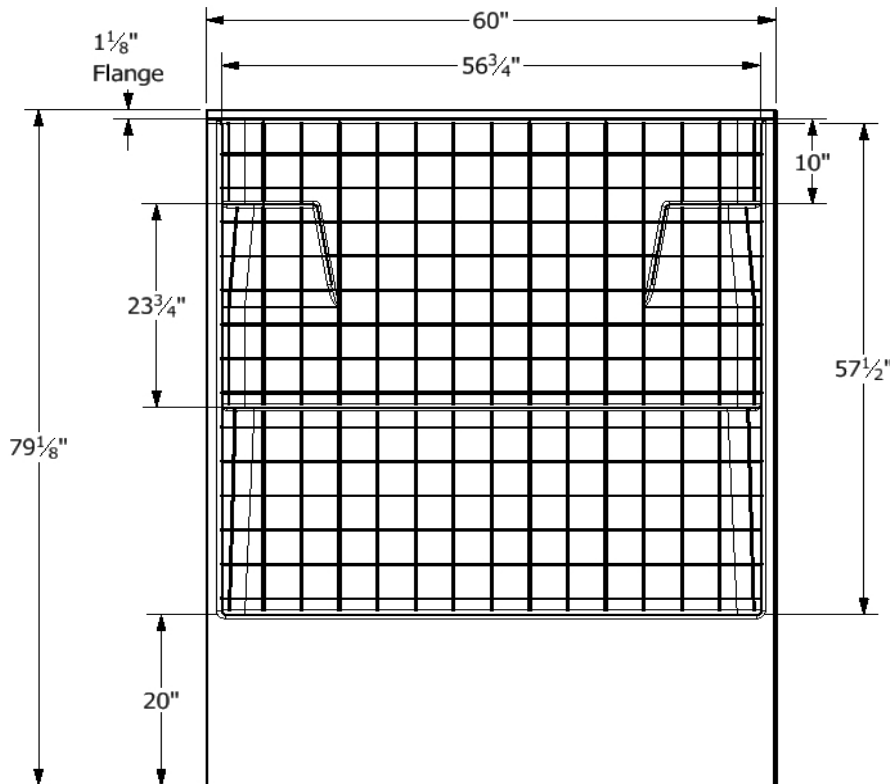
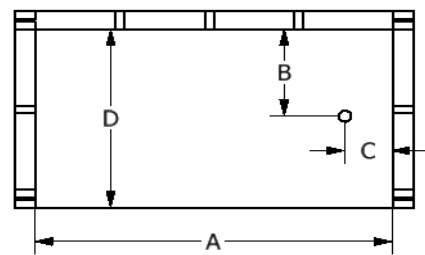
A	B	C	D
60 1/8"	36 1/8"	18"	8 1/4"

## Enclosure Opening

Length	Width
56 3/4"	57 1/2"



## Framing Specifications



This product is tested by ICC-ES and is certified to conform to the requirements of CSA B45.5/IAMPO Z124

Manufactured by Front Line Mfg., Inc. Warsaw, IN



5/31/19