

# INSTALLATION INSTRUCTIONS



## Equility™ (Formerly LYNDON®) Console Lavatory Kit

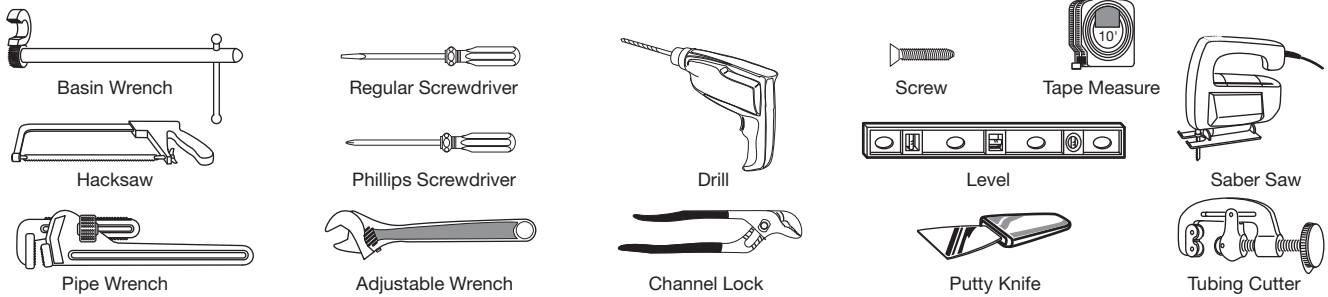
### Model D21035033

Thank you for selecting DXV. To ensure this product is installed properly, please read these instructions carefully before you begin. (Certain installations may require professional help.) Also be sure your installation conforms to local codes.

**▲ CAUTION: PRODUCT IS FRAGILE. TO AVOID BREAKAGE AND POSSIBLE INJURY HANDLE WITH CARE!**  
NOTE: Pictures may not exactly define contour of china and components.

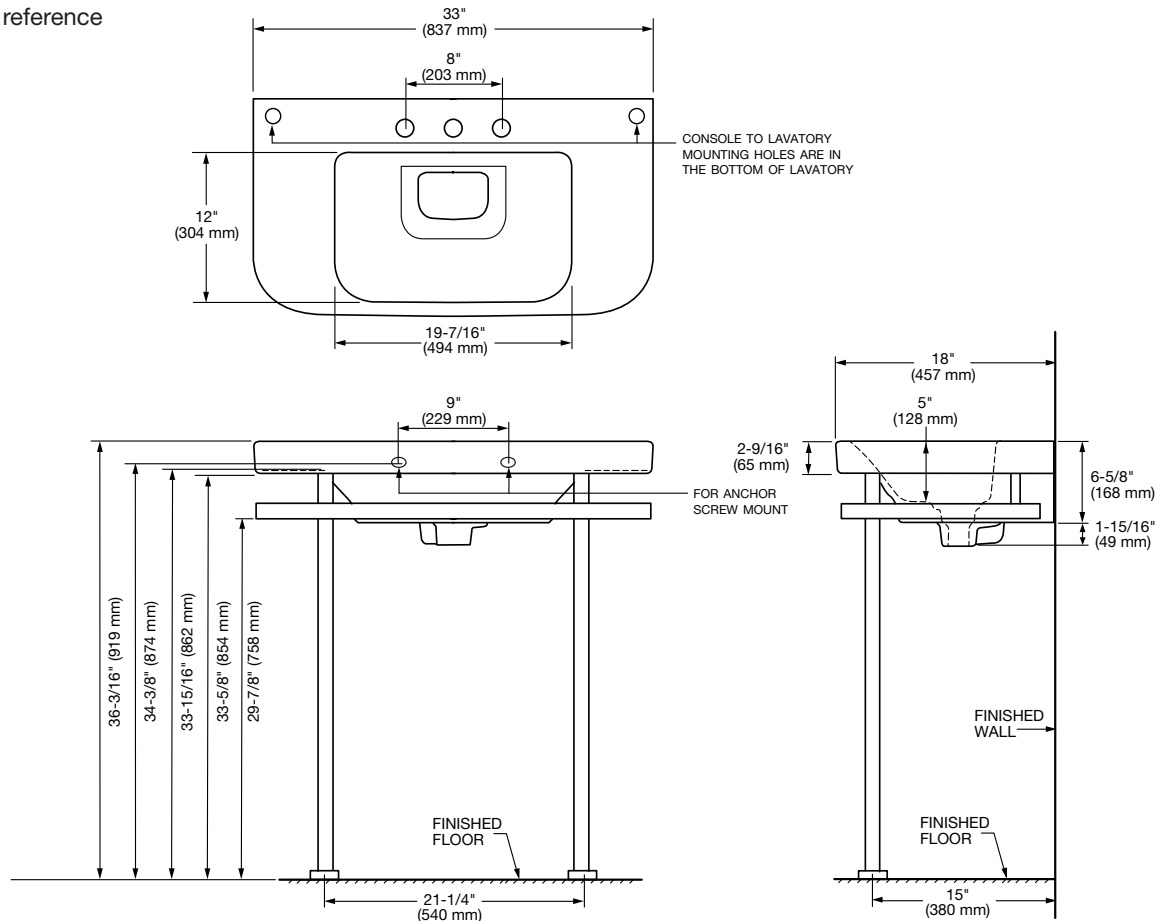
#### RECOMMENDED TOOLS AND MATERIALS

Most of the procedures require the use of common tools and materials, which are available from hardware and plumbing supply stores. It is essential that the tools and materials be on hand before work is begun.



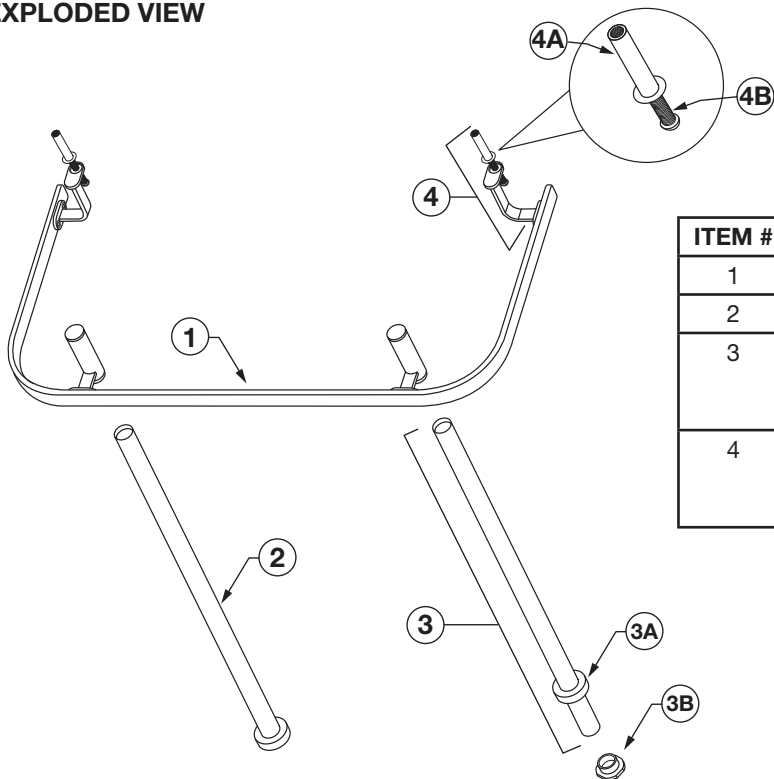
#### ROUGHING-IN DIMENSIONS:

• For reference



SAVE FOR FUTURE USE

**EXPLODED VIEW**



ITEM #	DESCRIPTION	PART #
1	U-Shape Bar Assembly	
2	(2) Legs	
3	Foot Kit 3A (1) Foot Cover 3B (1) Adjustable Foot	7381164-102.0070A
4	Mounting Kit 4A (2) Well Nuts 4B (2) Screws	77023B-102.YYY0A

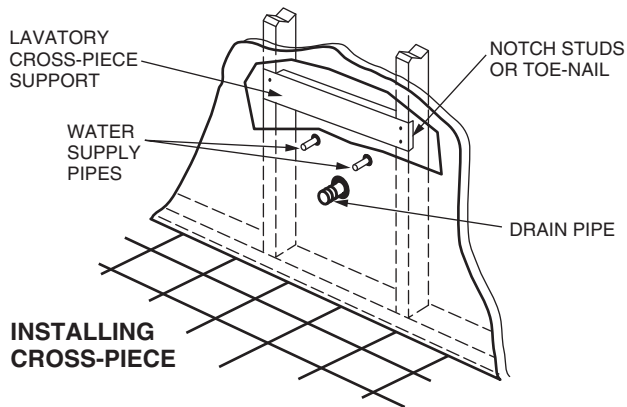
**1 WALL PREPARATION:**

Typical installation includes wall preparation, installation of faucet and pop-up drain, supplies to house water system.

**Lavatory Mounting Provisions** - Whether the lavatory is used for replacement or new installation, the wall area behind the lavatory basin mounting holes must be reinforced to provide secure mounting for the new unit.

**Preparing Wall for Lavatory Mounting**

1. Remove wallboard/covering from designated area.
2. Toenail 2" x 6" (51 x 152 mm) cross piece between studs (or notch studs to accept a 1" x 6" (25 x 152 mm) crosspiece, and attach securely). Place the lavatory into desired position and check height of mounting holes for dimensional location of horizontal crosspiece.
3. Replace wallboard/finished wall media.



**INSTALLING CROSS-PIECE**

**2**

Make sure lavatory is mounted in correct position.  
Refer to rough-in information to make sure the lavatory ANCHOR SCREW's height is 34-3/8" (874 mm).

**3**

Screw LEGS (item 2) to U-SHAPE BAR (item1) as shown in exploded view.

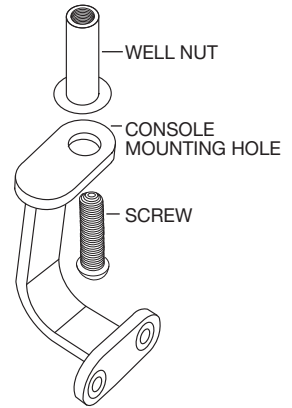
**4**

Slide the FOOT COVERS (item 3A) up the FEET about 6".  
Screw the two ADJUSTABLE FEET (item 3B) all the way up (to make the leg as short as possible).

5

Mounting WELL NUT (item 4A) and SCREW (item 4B) on the console hole as shown. The SCREW needs to catch the WELL NUT thread to avoid fall down.

**NOTE: Do not tighten the SCREW at this time.**



6

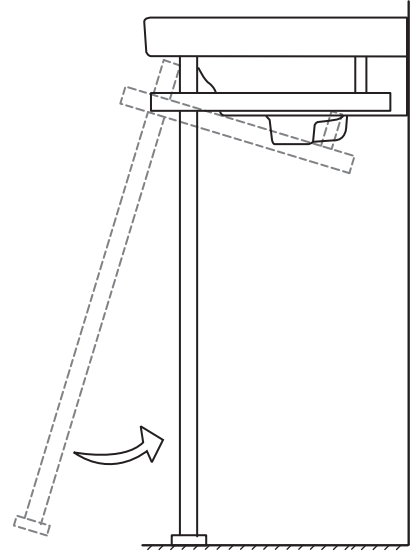
Move the full console under the lavatory (you will need to tilt the console in order to move in). Align the two WELL NUTS on the console to the holes on the bottom of lavatory.

**NOTE: If the console can't move under the lavatory, the lavatory may be installed too low. Please go back to step 2 to check the height and adjust lavatory mounting position to correct height.**

Insert WELL NUTS (item 4A) in holes at bottom of lavatory.

Fasten SCREWS (item 4B) in the WELL NUTS till tightly locked.

**TIP: To avoid the WELL NUT slip while you fasten the screw, you need to push console trim against the bottom of the lavatory so WELL NUT doesn't slip while you fasten screw.**



7

Adjust both ADJUSTABLE FEET (item 3B) on the floor to make sure:

1. Legs firmly sit on floor.
2. Legs are in vertical position, both from the front view and side view. Use the level to check vertical in both views.

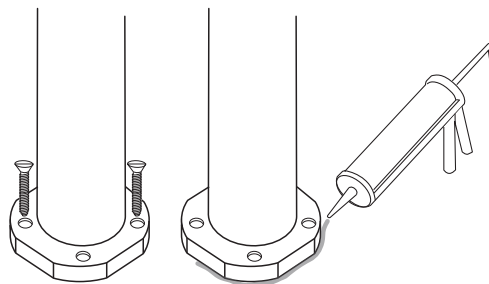
**NOTE: If the above 1 and 2 conditions can not be achieved with the range of adjustment. The lavatory may be installed too high. Please go back to step 2 to check the height and adjust lavatory mounting position as necessary.**

8

Install the proper anchor screws (depends on floor type) through the hole on foot flange to secure the console legs.

**NOTE: Anchor screws not supplied with product.**

**The alternative is to apply proper adhesive between feet and floor.**



9

Push down the FEET COVERS.

**In the United States:**

DXV  
One Centennial Avenue  
Piscataway, New Jersey 08855  
Attention: Director of Customer Care

For residents of the United States, warranty information may also be obtained by calling the following toll free number: (800) 227-2734  
www.DXV.com

**In Canada:**

DXV  
5900 Avebury Road  
Mississauga, Ontario  
L5R 3M3  
Canada

Toll Free: 1-800-387-0369  
Local: 905-306-1093  
Fax: 1-800-395-1498  
www.DXV.ca

**In Mexico:**

DXV  
Via Morelos 330  
Col. Santa Clara Coatitla  
Ecatepec, Estado de México 55540

Toll Free: 01-800-8391200  
www.DXV.mx