



RANDALL®

WIDESPREAD LAVATORY FAUCET



- Cast brass spout and side valves
- Ceramic disc valve cartridges
- Flexible hose connections for 6"–12" installations
- Available with cross or lever handles
- 8" centers
- Speed Connect® with 1-1/4" drain
- Lead Free—faucet contains $\leq 0.25\%$ total lead content by weighted volume
- Maximum flow rate: 1.5 gpm (5.7 L/min)
- Low flow rate: 1.2 gpm (4.5 L/min)

CODES AND STANDARDS

Meets or Exceeds ASME A112.18.1/
CSA B125.1/NSF 61/Section 9

EPA WaterSense® High Efficiency Lavatory
Faucet Specification

Certified Compliant with 0.25% Weighted
Average Lead Content Regulations

AVAILABLE FINISHES

Polished Chrome
Brushed Nickel
Platinum Nickel
Satin Brass

FINISH CODE

100
144
150
427

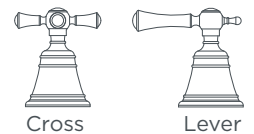
DESCRIPTION

Widespread Lavatory Faucet
1.5 gpm (5.7 L/min)
— Cross Handles
— Lever Handles (ADA only)
1.2 gpm (4.5 L/min)
— Cross Handles
— Lever Handles (ADA only)

PRODUCT NUMBER

D35102840.XXX
D35102800.XXX

D3510284C.XXX
D3510280C.XXX



ROUGH-IN DIAGRAM
SHOWN ON NEXT PAGE

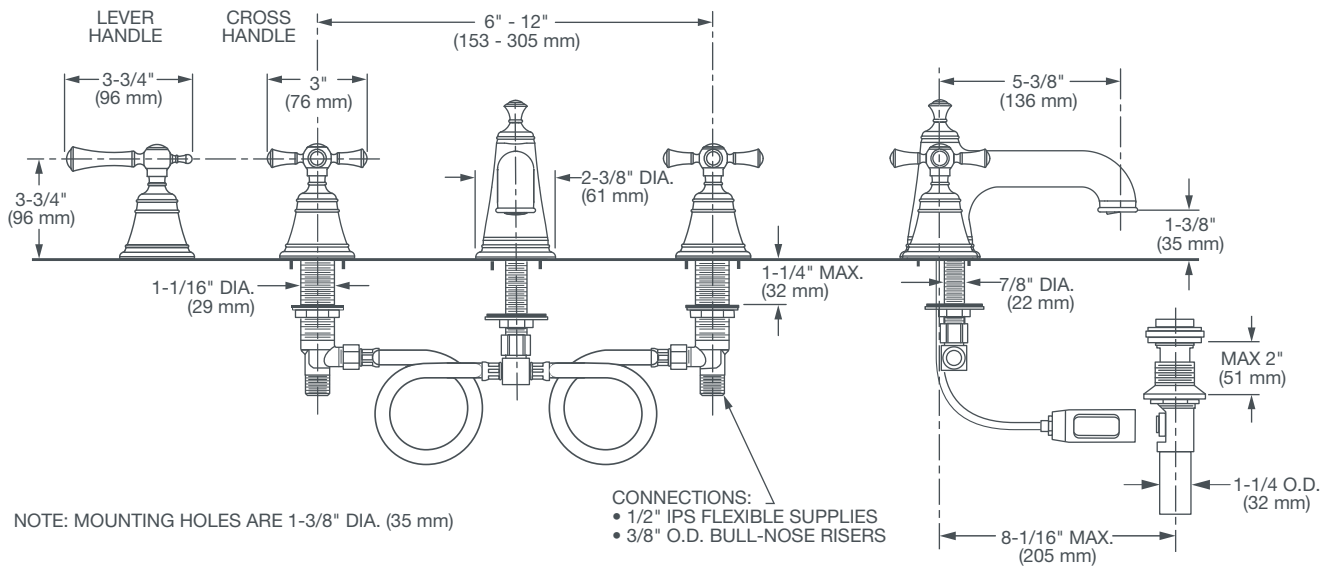


Meets the Americans with Disabilities Act
Guidelines and ANSI A117.1 Requirements
for the physically challenged.



RANDALL[®]

WIDESPREAD LAVATORY FAUCET



IMPORTANT: These measurements are subject to change or cancellation.
No responsibility is assumed for use of superseded or voided pages.

PART OF **LIXIL**