

# TRADITIONAL POT FILLER



- Ceramic disc valves cartridge
- Two-piece adjustable arm folds out of the way when not in use
- Spout extends 22"
- Designed for cold water attachment
- Single hole wall mount and single control actuator
- Lead Free — faucet contains  $\leq 0.25\%$  total lead content by weighted volume
- 3.0 gpm (11.4 L/min) flow rate at 45 psi

### CODES AND STANDARDS

Meets or Exceeds ASME A112.18.1/  
CSA B125.1/NSF 61/Section 9

Certified Compliant with 0.25% Weighted  
Average Lead Content Regulations

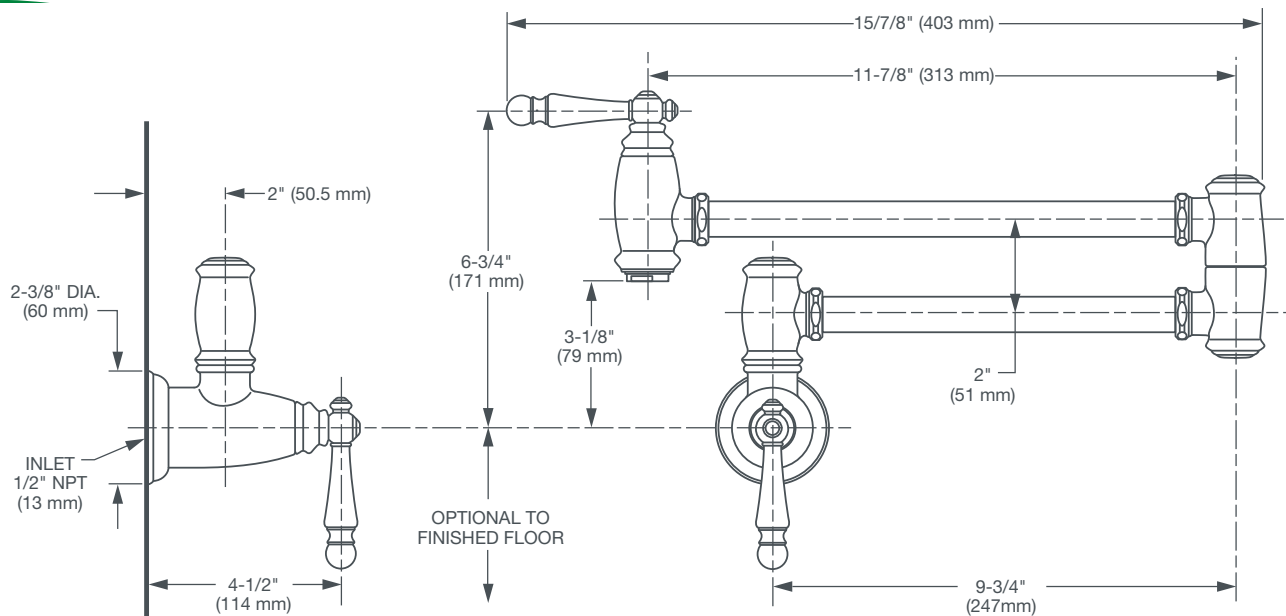
**Available Finishes**  
Polished Chrome  
Ultra Steel

**Finish Code**  
100  
355

**DESCRIPTION**  
Traditional Pot Filler

**PRODUCT NUMBER**  
D35402900.XXX

**CALGreen**



**IMPORTANT:** These measurements are subject to change or cancellation.  
No responsibility is assumed for use of superseded or voided pages.

PART OF **LIXIL**