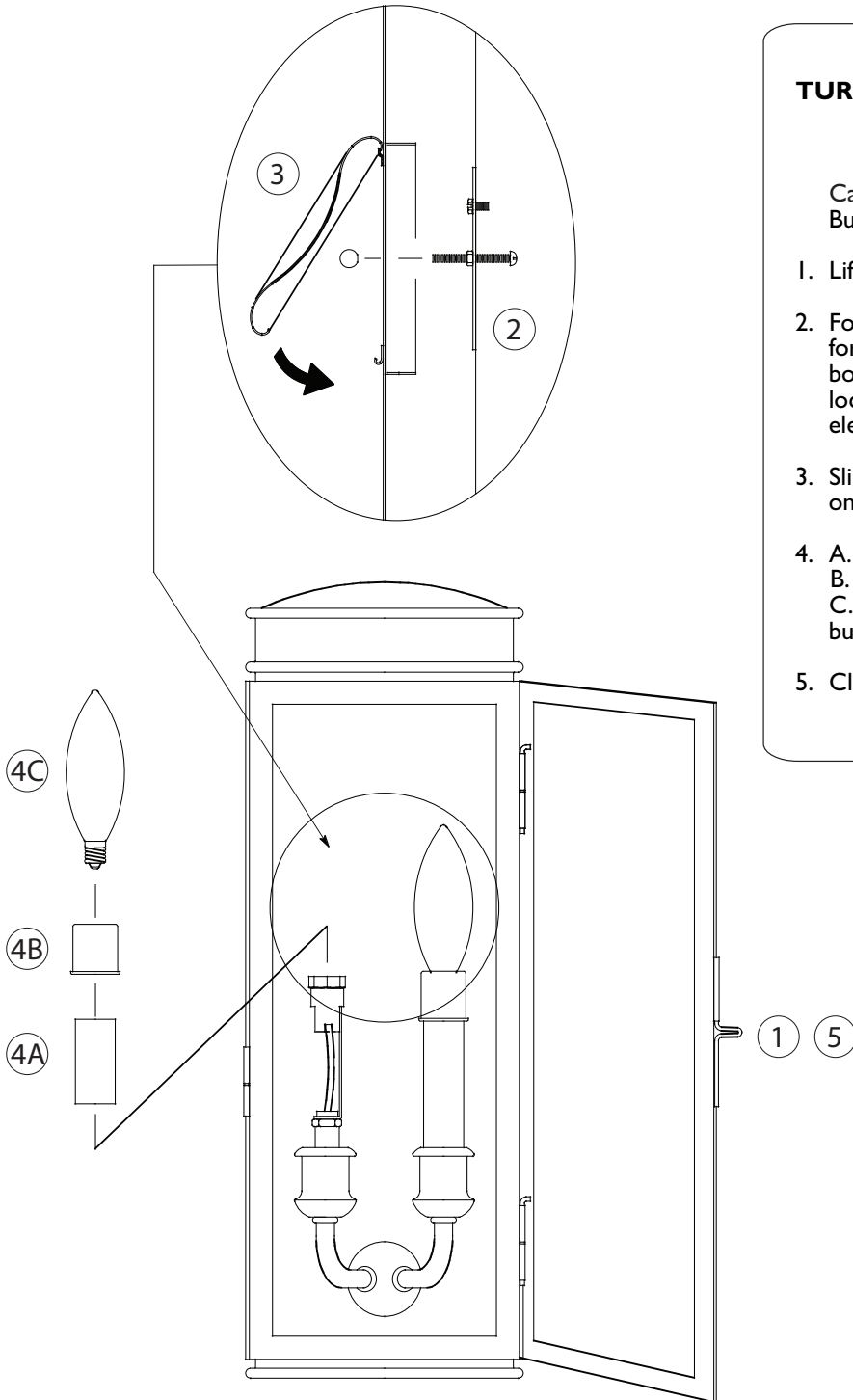


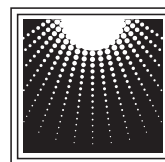
Assembly Instructions For **OL7400, OL7402** (E) 5/09



IMPORTANT
TURN OFF THE POWER AT THE MAIN FUSE OR
CIRCUIT BREAKER BOX
BEFORE STARTING INSTALLATION

Carefully unpack and identify all parts before assembly.
Bulbs not included.

1. Lift latch to open door.
2. Follow enclosed supplement installation instructions for electrical and fixture installation onto house outlet box. If you do not have an outlet box at desired location to attach the fixture than hire a qualified electrician to create one.
3. Slip reflector inside of lantern and install by snapping onto fixture plate surface.
4. A. Slip candle tube over socket.
B. Install candle follower over candle tube.
C. Install type-B, candelabra base, of 60 Watt maximum bulbs (not included).
5. Close door.



MURRAY
F E I S S

Generation Brands™