

Finoris
Freestanding Tub Filler Trim with 1.75 GPM Handshower
 Finishes : **chrome** Part no. : **76445001**



Description

Features

- Consists of: Freestanding tub filler trim, Baton handshower, Handshower hose, Handshower holder
- spray type mixer: Aerated spray
- spray type hand shower: Rain, Mono
- flow rate of hand shower at 3 bar: 1.75 GPM (6.6 L/Min)
- Ceramic cartridge
- diverter with automatic resetting
- Integrated double backflow prevention

Item details

List Price \$ 2,800.00

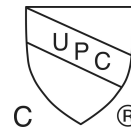
Technology



Design awards



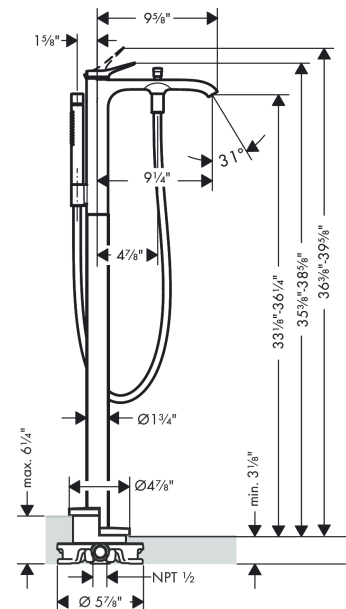
Compliance



Product image



Scale drawing

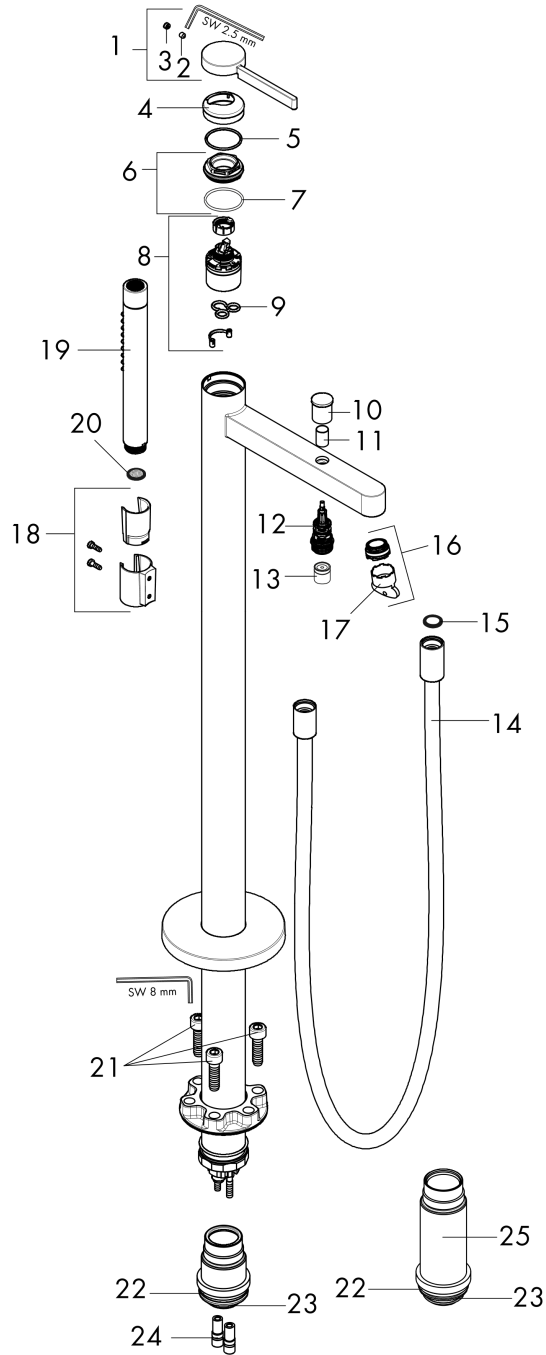


Finoris
Freestanding Tub Filler Trim with 1.75 GPM Handshower
 Finishes : **chrome** Part no. : **76445001**



Exploded drawing

Year of production: >11/21



Finoris
Freestanding Tub Filler Trim with 1.75 GPM Handshower
 Finishes : **chrome** Part no. : **76445001**



Spare parts list

Year of production: >11/21

Pos.	Description	Part no.	Price	PU
1	handle	93993000	-	1
2	hollow set screw M5x5	98446000	-	1
3	screw cover	93735460	-	1
4	escutcheon	94027000	-	1
5	O-ring 33x2	98154000	-	1
6	nut	93995000	-	1
7	O-ring 35x2	92604000	-	1
8	cartridge, assy	93895000	-	1
9	seal	95008000	-	1
10	diverter knob	97981000	-	1
11	sleeve	97979000	-	1
12	selector	97978000	-	1
13	non return valve	97980000	-	1
14	shower hose 1,25 m	28282000	-	1
15	seal	98058000	-	1
16	aerator M24x1 (38 l/min)	93965000	-	1
17	service tool	93750000	-	1
18	shower holder, assy	96295000	-	1
19	handshower	04486000	-	1
20	filter packing	94246000	-	1
21	hexagon socket screw M10x35	97670000	-	1
22	O-ring 44x2,5	98162000	-	1
23	O-ring 29x3	98371000	-	1
24	O-ring 7x2	98419000	-	1
25	extension set 60 mm	93882000	-	1