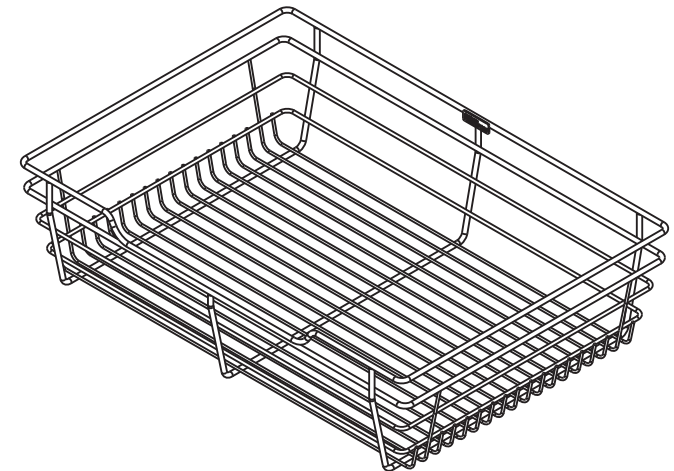


DETAIL B  
SCALE 1:2



	ITEM:	POB1-16236CH		MATERIAL:	STEEL
	FINISH:			WEIGHT:	2028.60
<b>PROPRIETARY AND CONFIDENTIAL</b>  THE INFORMATION CONTAINED IN THIS DRAWING IS THE SOLE PROPERTY OF HARDWARE RESOURCES INC. ANY REPRODUCTION IN PART OR AS A WHOLE WITHOUT THE WRITTEN PERMISSION OF HARDWARE RESOURCES INC. IS PROHIBITED.	TOLERANCE UNLESS OTHERWISE SPECIFIED: X ±0.20 XX ±0.10 XXX ±0.05 ANGULAR: ±0.5°		UNITS: IN  SIZE: A4  SHEET: 1 OF 1	DRAWN BY:  APPROVED BY:  RELEASE LEVEL: 	DATE: 03-23-15  DATE:  REVISION: 
	DO NOT SCALE DRAWING				