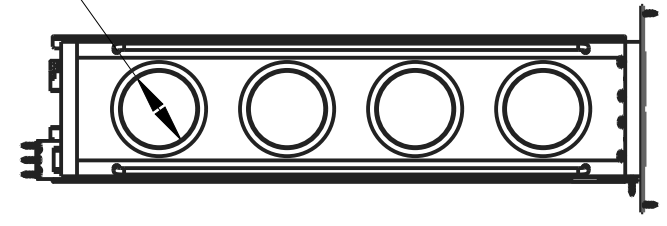
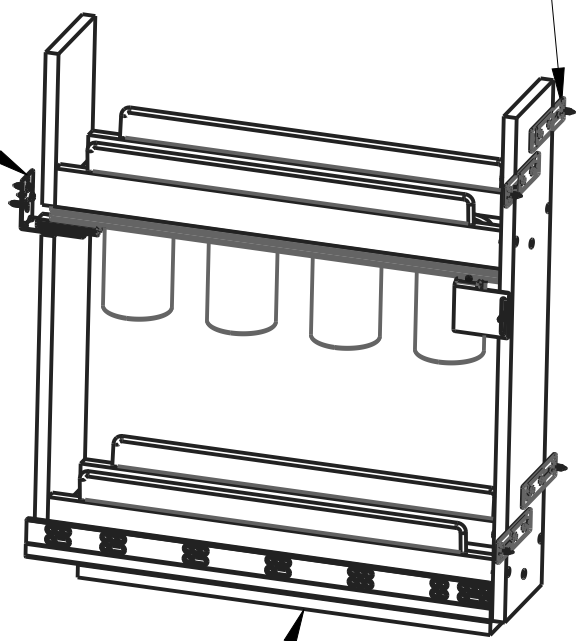


4 CANISTERS $\varnothing 2-13/16$

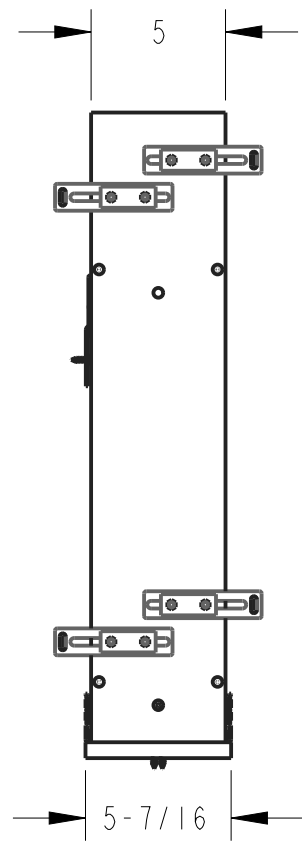
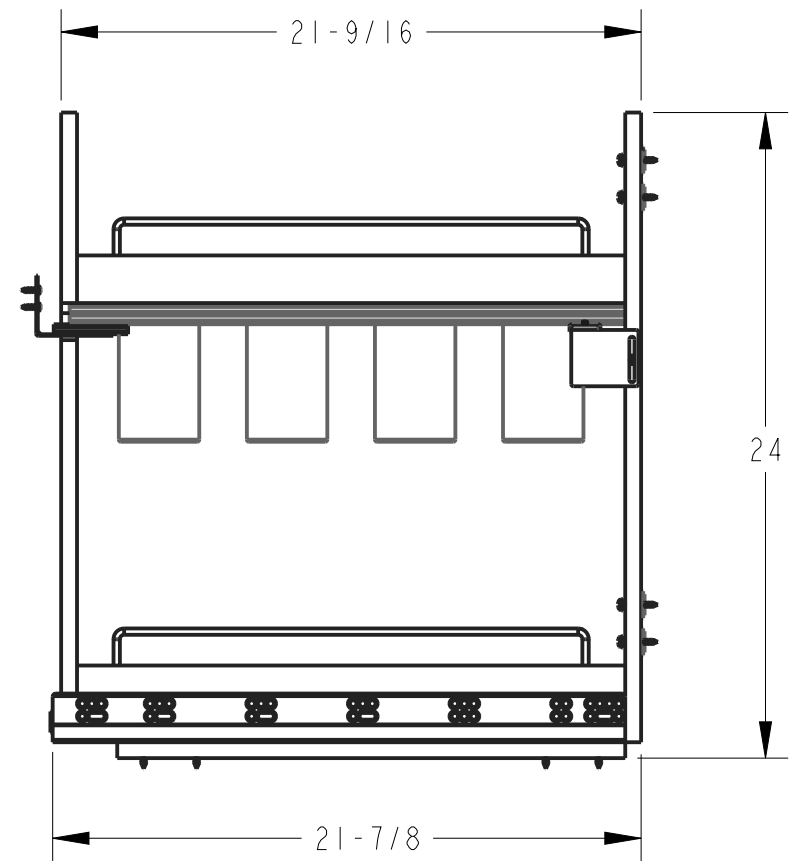
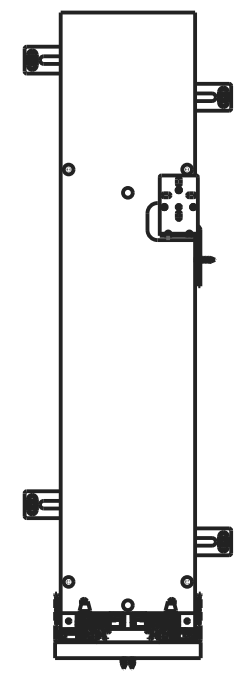


"NO WIGGLE" TOP SUPPORT MECHANISM US PATENTED

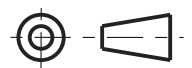
6 WAY DOOR MOUNTING ADJUSTABLE SYSTEM US PATENTED



USE 58-300 SERIES RUNNER MECHANISM



THIRD ANGLE PROJECTION



hardware resources

MATERIAL	FINISH
BIRCH PLYWOOD	UV COATING

DESCRIPTION
UBPO5

DRAWN BY JOEL GOMEZ	DATE 06NOV2019
DESIGNED BY JOEL GOMEZ	DATE 28OCT2019
APPROVED BY ALAN CHEN	DATE 19NOV2019

DRAWING NUMBER UBPO5	REV B
-------------------------	-----------------

SIZE A3	SCALE 0.140	SHEET 1 / 1
------------	----------------	----------------

DOCUMENT STATUS Released

HARDWARE RESOURCES RESERVES THE RIGHT TO CHANGE SPECIFICATIONS WITHOUT NOTICE. IN CASE OF A DISCREPANCY, ACTUAL PART GEOMETRY SUPERSEDES THIS DOCUMENT.

THE INFORMATION CONTAINED WITHIN THIS DRAWING IS THE SOLE PROPERTY OF HARDWARE RESOURCES INC. ANY REPRODUCTION IN PART OR WHOLE WITHOUT WRITTEN PERMISSION OF HARDWARE RESOURCES INC. IS PROHIBITED.