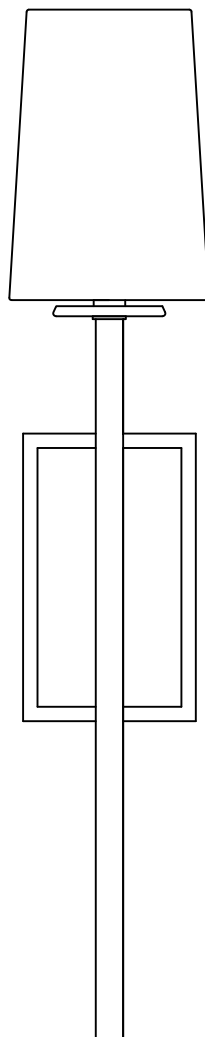




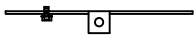
PRODUCT NAME: Anvil 1-Light Wall Scone  
ITEM NUMBER: 30301

Please consult a qualified electrician for hanging fixture and wiring.



Bulb (not included): 1\*60W E12 Bulb

**IMPORTANT:** Turn off the power at the main fuse or circuit breaker box before starting installation



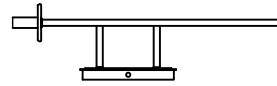
Bracket(A)



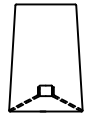
Mounting(B)



Screws(C)

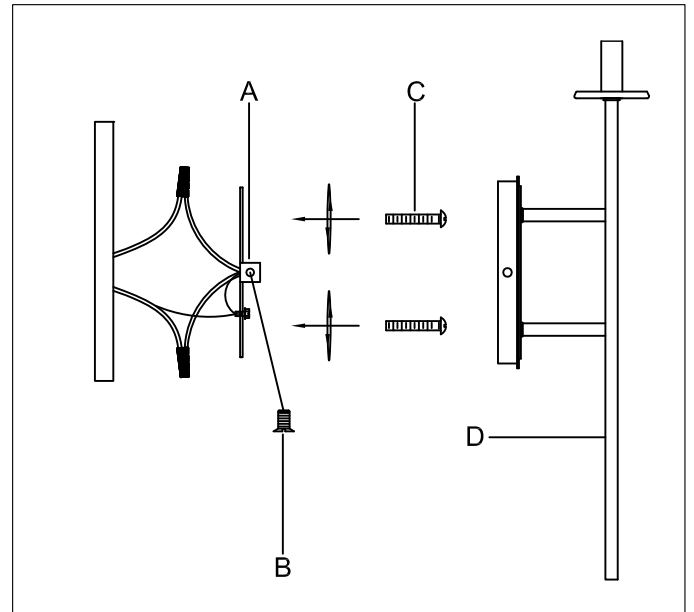
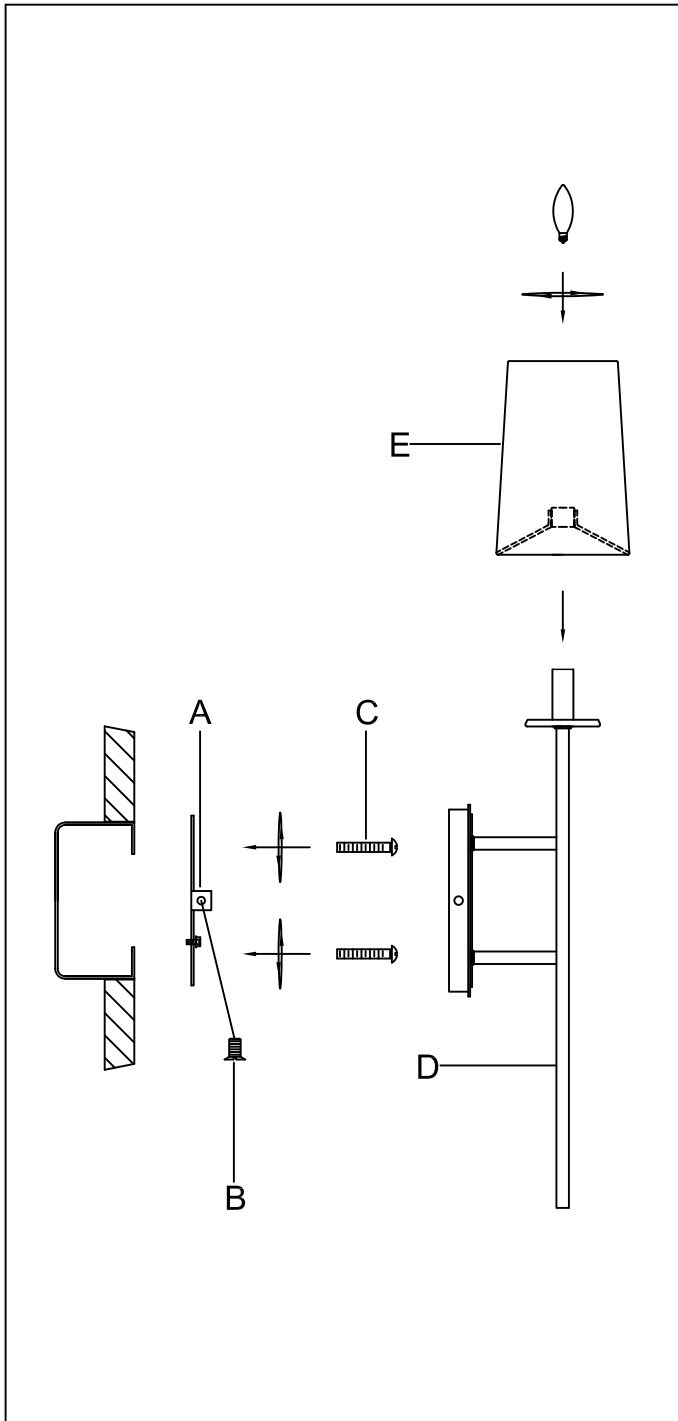


Fixture(D)

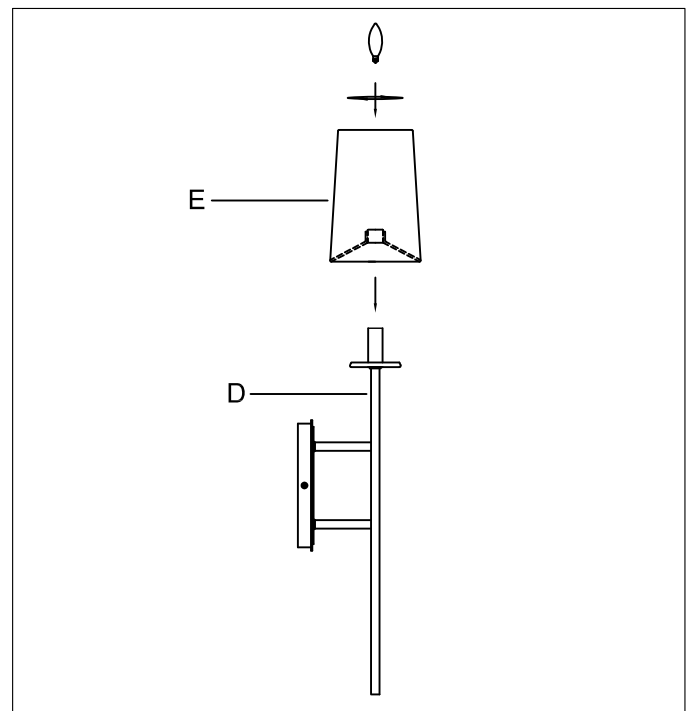


Shade(E)

Locate all hardware & components before discarding packaging



Step1. Remove mounting bracket from fixture and install to electrical box. Then wire fixture to wires in outlet box. Copper wire is for Ground.



Step2. Place the shade (E) on the socket.  
3. Install 1 max 60W E12 bulb into socket.

Cleaning & Care:  
Clean with soft cloth and a mild detergent.  
Do not use abrasive cleaner