

DESCRIPTION

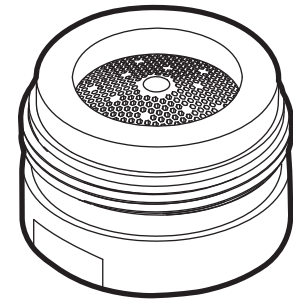
- Metallic construction with various finishes identified by suffix
- Threaded connection
- Continuous temperature – 120 degrees F Max
- Continuous pressure – 90 psi Max

FLOW

- 1.2 gpm (4.5 L/min.) Max.
- Aerated flow

WARRANTY

- Warranted for 1 year against material or manufacturing defects



Aerator and Shell Kit
1.2 gpm (4.5 L/min)

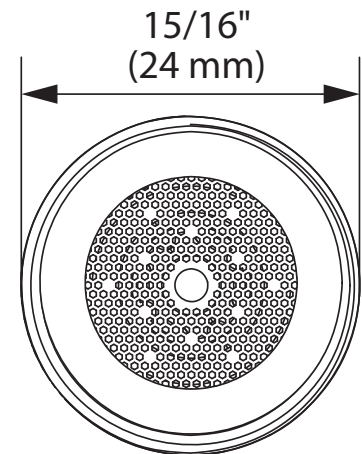
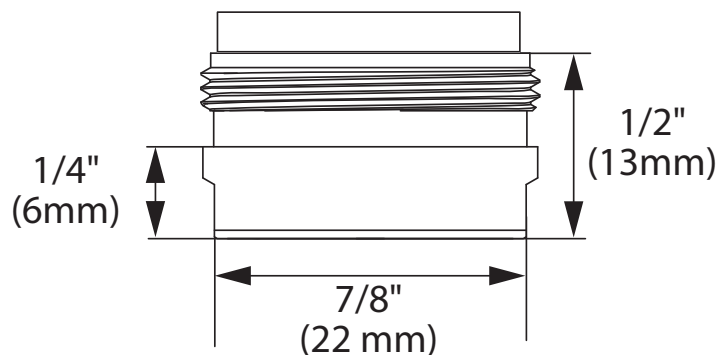
Model: 194993

Used with Models:

Via - TS8002 series

Via - S8001 series

Via - S8000 series



CRITICAL DIMENSIONS

(DO NOT SCALE)