

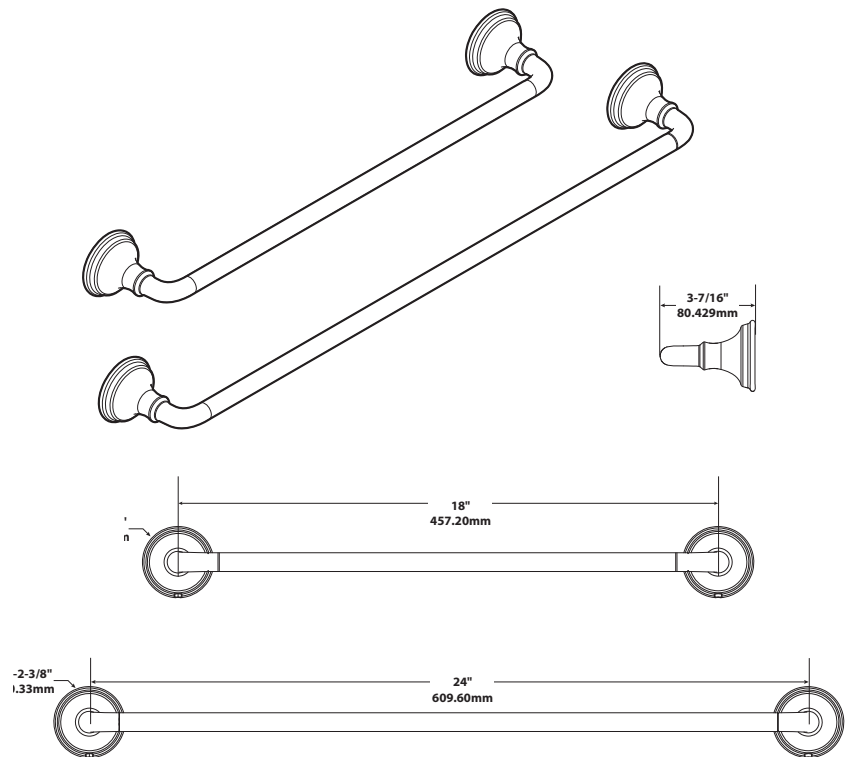
Jansen™ Technical Specification

18in. and 24in. Towel Bar BH0918/BH0924

Stock Numbers:

- **BH0918CH - 18in. Towel Bar**
Chrome Finish
- **BH0924CH - 24in. Towel Bar**
Chrome Finish

Dimensions:



Materials:

Towel Bar is constructed of zinc.

Installation Instructions:

- 1) Position the mounting template on the wall in the desired location.
- 2) Using a level, align the template and tape it to the wall.
- 3) Drill two 1/4" holes at each mounting post location that corresponds to your product. (We recommend using the horizontal holes for drywall installation).
- 4) Remove the template from the wall.
- 5) Lightly tap anchors until flush with the wall.
- 6) Remove mounting posts from the product assemblies by loosening each setscrew.
- 7) One at a time, place each mounting post over anchors (notch facing downward) and insert screws through post into anchors.
- 8) Tighten screws.

Cleaning Instructions:

To preserve the fine finish of this product, clean only with a soft damp cloth. Dry well. Do not use commercial or abrasive cleaners.

Stock Number BH0918 _____
Stock Number BH0924 _____
Towel Bar By MOEN



Buy it for looks. Buy it for life.®

25300 AL MOEN DRIVE • NORTH OLMSTED, OH 44070
CORPORATE HEADQUARTERS: (800) 321-8809 • FAX: (800) 848-6636
INTERNATIONAL: (440) 962-2000 • FAX: (440) 962-2726
CUSTOMER SERVICE (USA) : 800-882-0116 • FAX: (888) 379-2720
WWW.MOEN.COM

© 2017 Moen Incorporated. Moen is a registered trademark and Jansen is a trademark of Moen Incorporated. All rights reserved.