

**MBSC6060**

59" x 59" x 18.75"

**Installation:** Drop-In

**Material:** Acrylic

**Plumbed Weight:** 125 lbs / 57 kg

**Soaker Weight:** 100 lbs / 45 kg

**Average Fill:** 45 gal to above jet level

**Maximum Fill:** 75 gal to overflow

*Not recommended as a tub/shower combination*



Package	Package Content	Part #
Soaker	Soaking bath - No jets. Includes textured bottom.	<b>MBSSC6060</b>
Air Bath	12 air jets, heated air blower, pre-leveled foam base and textured bottom. Pre-leveled foam base increases overall tub height 2"-3"	<b>MBASC6060</b>
Whirlpool	6 point-massage jets, 1-bhp pump and textured bottom	<b>MBWSC6060</b>

**Options** Must be ordered at time of purchase.

**Standard** White (no charge)

**Color Upgrade:** Biscuit (MTISCOLOR)

**Quick Ship / Priority**

Soaker & Whirlpool (QSHIPMTIS)

Airbath (QSHIPMTISA)

**Inline Heater**

For Whirlpool (HTRMTIS) uses existing pump

For Soaker & Air Bath (MBHTISOAK)

heater with recirculating pump

**Accessories.**

**Lift and Turn Drain & Overflow**

Chrome (MBWOC), White (MBWOW),  
Brushed Nickel (MBWOBN)

**Pillows**

Soft Pillow

White (MBPSW) Black (MBPSB)

Roll-Up Pillow

Light Aqua (MBPRUC) Black (MBRUB)

**Installation Options.** Must be ordered at time of purchase.

**Tile Flange**

2 sides for corner tubs

Factory-Installed rigid ABS (MBTFKC)

Integral (MBTIF)

**Pre-Leveled Foam Base**

5' Tubs (MBPLFOAM)

All airbaths include a pre-leveled foam base.

**Pre-Leveled Frame and Foam Base**

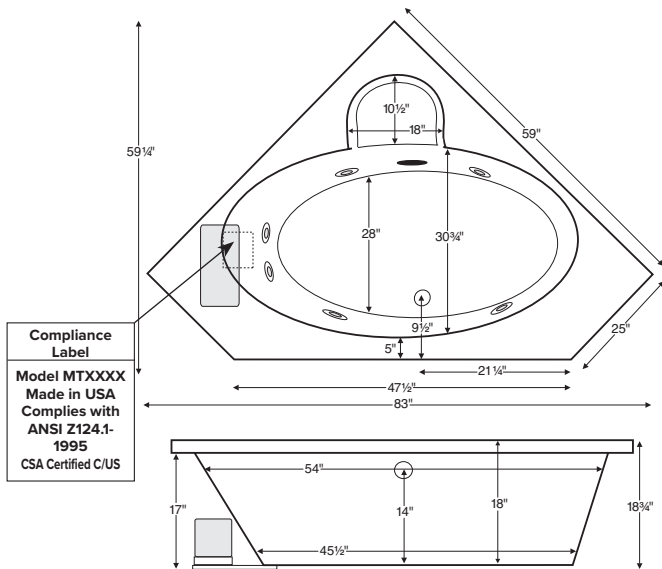
Corner Tubs (MBPLFC)

**Pre-Leveled Frame and Foam Base with Skirting**

ACrylic Euro-Style Skirt with Removable Panels

Corner Tubs (MBFSKAC5)

Shown with Whirlpool Package



**Compliance Label**  
Model MTXXXXX  
Made in USA  
Complies with  
ANSI Z124.1-  
1995  
CSA Certified C/US

**Important Ordering and Installation Information**

- Before ordering or installing, consider access to equipment.
- Always measure tub on-site before building tub deck.
- Use proper bedding compound to fully level and support the tub.
- Tubs equipped with an air system or factory installed pre-leveled foam base are designed to install directly onto a flat level subfloor.
- Tub height is increased up to 3" when equipped with factory-installed foam base.
- Location of all therapy components is predetermined and cannot be changed.
- Options listed cannot be combined with Designer Collection options.

- Before discarding tub crate, check for accessories that may be packaged inside.
- All product measurements are ±1/2".
- Specifications and configurations are subject to change without notice.
- Measurements herein supersede all others published prior to publication date below.

CSA # MTIS-SC6060

Rev. 03 01 2023

Hydrotherapy Package	Components Included	GFCI / 110V
Soaker with Optional Inline Heater	½-bhp pump, inline heater	1-15 amp
Whirlpool or Air Bath	1-bhp pump	1-15 amp
Whirlpool with Optional Inline Heater	1-bhp pump, inline heater	1-20 amp
Air Bath with Optional Inline Heater	heated blower, ½-bhp pump, inline heater	2-15 amp

**CSA Certified C/US; ANSI Z124.1 and ANSI 112.19.7**

**NOTE:** Filling this tub to the maximum may require an above average size or dedicated water heater.

