

Features

- Solid brass construction
- ADA compliant traditional lever handles
- 7-23/64" (18.7 cm) spout length
- 3/4" NPT spout inlet fitting
- Intended for use with Newport Brass rough valve as specified (Required Accessory)
- Rough valve incorporates a brass valve body assembly
- Rough valve incorporates quarter-turn washerless ceramic disc valve cartridges

Wall-Mounted Tub Trim

3-2575



Codes / Standards Compliance

Meets or exceeds the following at date of manufacture:

- ASME A112.18.1/CSA B125.1
- IAPMO/cUPC
- IPC
- ADA
- ICC/ANSI A117.1
- All applicable US Federal and State material regulations

Colors / Finishes

- 10B: Oil Rubbed Bronze
- 15: Polished Nickel
- 15S: Satin Nickel - PVD
- 26: Polished Chrome
- Other: Refer to the Newport Brass catalog for additional color/finish options.

Specified Model

Model	Description	Colors Finishes
3-2575	Wall-Mounted Tub Trim	<input type="checkbox"/> 10B <input type="checkbox"/> 15 <input type="checkbox"/> 15S <input type="checkbox"/> 26 <input type="checkbox"/> Other

Required Accessory

Application	Tub Only Valve*
Description	2-Cartridge Assembly
Inlet/Outlet Size	1/2"
Part Number	1-500T
Image	

Product Specification Add "Color / Finish" suffix to Model number, below.

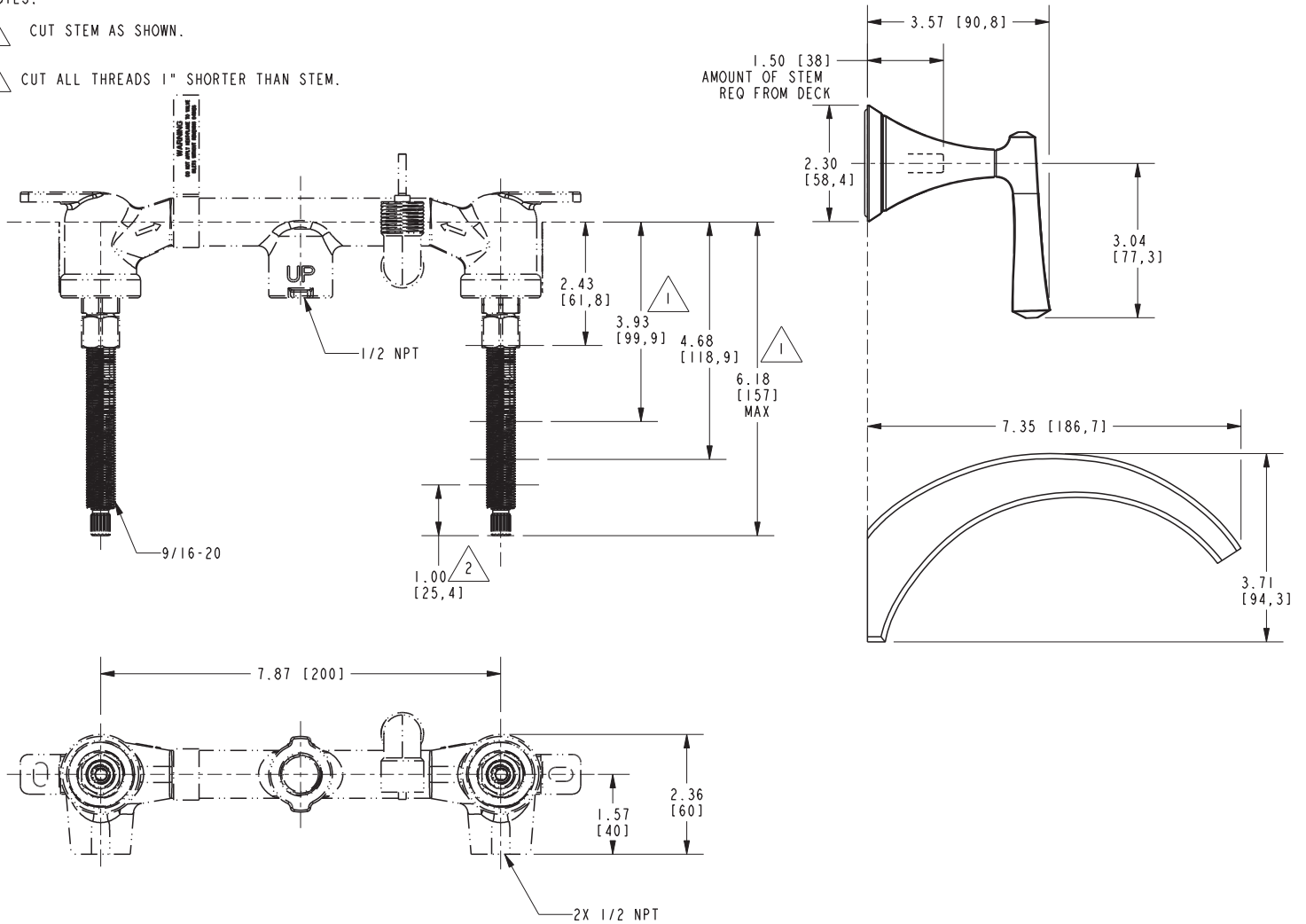
The Wall-Mounted Tub Trim shall be made of solid brass construction. Wall-Mounted Tub Trim shall include ADA compliant lever handles and a 7-23/64" (18.7 cm) tub spout that incorporates a 3/4" NPT inlet fitting. Wall-Mounted Tub Trim shall be Newport Brass Model 3-2575/____ and Newport Brass rough valve shall be 1-500T.

3-2575

PRODUCT DIMENSIONS *(Units are in inches)*

NOTES:

- 1. CUT STEM AS SHOWN.
- 2. CUT ALL THREADS 1" SHORTER THAN STEM.



Joffrey Wall-Mounted Tub Trim
3-2575

NEWPORT BRASS
 Flawless Beauty. From Faucet to Finish.™