

ALVESTON

Towel Ring 890-1400

Features

- Solid brass construction
- Single-post, horizontal pivot design with hanging, open ring
- Complements Alveston product series

Codes / Standards Compliance

Meets or exceeds the following at date of manufacture:

- All applicable US Federal and State material regulations

Colors / Finishes

- 10B: Oil Rubbed Bronze
 - 15: Polished Nickel
 - 15S: Satin Nickel - PVD
 - 26: Polished Chrome
- Other: Refer to the Newport Brass catalog for additional color/finish options.



Specified Model

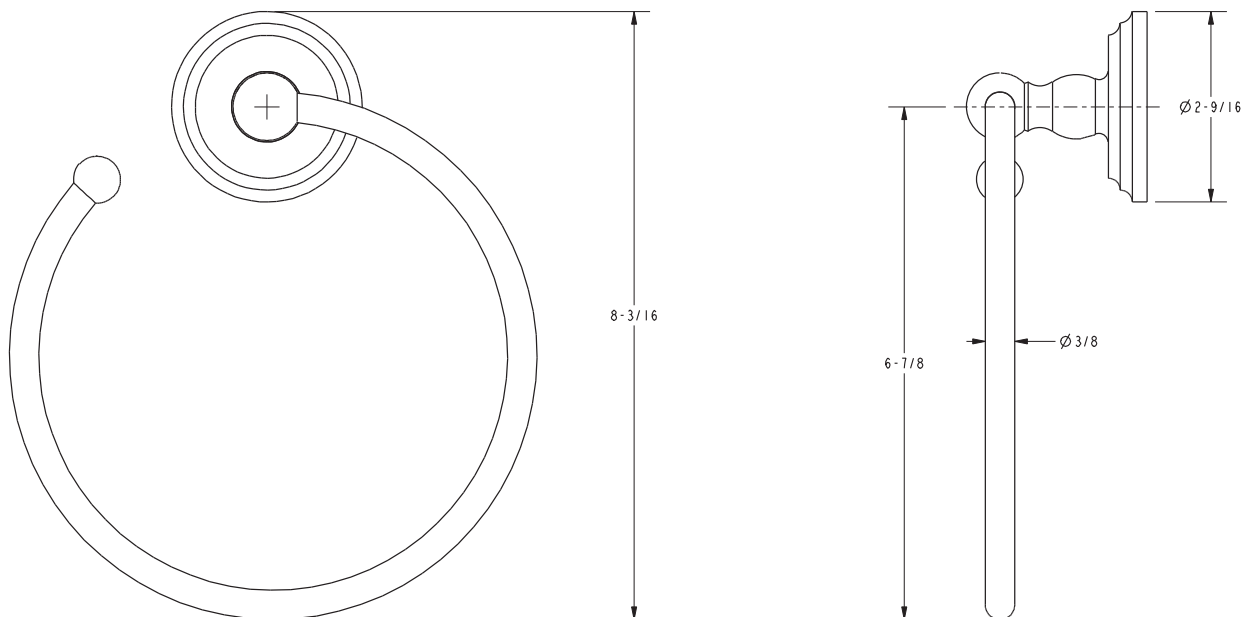
| Model | Description | Colors Finishes | | | | |
|----------|-----------------|------------------------------|-----------------------------|------------------------------|-----------------------------|--------------------------------|
| 890-1400 | Open Towel Ring | <input type="checkbox"/> 10B | <input type="checkbox"/> 15 | <input type="checkbox"/> 15S | <input type="checkbox"/> 26 | <input type="checkbox"/> Other |

Product Specification Add "Color / Finish" suffix to Model number, below.

The Open Towel Ring shall be made of solid brass construction and incorporate a single-post, horizontal pivot design with hanging, open ring. Towel Ring shall complement Newport Brass Alveston product series. Open Towel Ring shall be Newport Brass Model 890-1400/_____.

890-1400

PRODUCT DIMENSIONS *(Units are in inches)*



Alveston Towel Ring
890-1400

Page 2 of 2 Spec_890-1400

NEWPORT BRASS
Flawless Beauty. From Faucet to Finish.™

t: 949.417.5207 | www.newportbrass.com
©2020 Brasstech, Inc.