

Installation Instructions

NLCBC Series

Cobalt Retrofit Adjustable Elbow

READ PRIOR TO ATTEMPTING INSTALLATION
ALWAYS TURN OFF MAIN POWER BEFORE INSTALLATION
INSTALLATION SHOULD BE CARRIED OUT BY YOUR LOCAL ELECTRICIAN

⚠ WARNING - Risk of fire or electric shock.

Do not alter, relocate, or remove wiring, lampholders, power supply, or any other electrical component. Installation of this retrofit assembly requires a person familiar with the construction and operation of the luminaire's electrical system and the hazard involved. If not qualified, do not attempt installation. Contact qualified electrician.

Install this kit only in luminaires that have the construction features and dimensions described in these instructions, and where the input rating of the retrofit kit does not exceed the input rating of the luminaire.

⚠ AVERTISSEMENT - Risque d'incendie ou d'électrocution

Ne modifiez pas, ne déplacez pas et n'ôtez pas le câblage, les porte-lampe, le bloc d'alimentation ou tout autre composant électrique.

L'installation de cet assemblage modifié exige une personne familière avec la construction et le fonctionnement du circuit électrique de l'appareil d'éclairage et les risques encourus. Si vous n'êtes pas qualifié, n'essayez pas le montage. Mettez-vous en rapport avec un électricien qualifié.

Ne montez ce nécessaire que sur des luminaires dotés des caractéristiques de construction et des dimensions décrites dans ce mode d'emploi, et où la classification de débit calorifique du nécessaire d'adaptation n'excède pas la classification de débit calorifique du luminaire

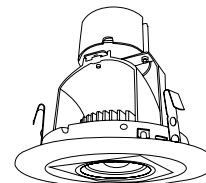
⚠ WARNING - To prevent wiring damage or abrasion, do not expose wiring to edges of sheet metal or other sharp objects.

⚠ AVERTISSEMENT - Afin d'éviter tout endommagement ou abrasion du câblage, ne mettez pas en contact le câblage avec les arêtes de la tôle ou d'autres objets tranchants.

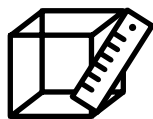
THIS RETROFIT KIT IS ACCEPTED AS A COMPONENT OF A LUMINAIRE WHERE THE SUITABILITY OF THE COMBINATION SHALL BE DETERMINED BY CSA OR AUTHORITIES HAVING JURISDICTION.



PACKAGING CONTENTS



- a. Male Ideal® connector
- b. LED Lamp Replacement Marking Sticker



HOUSING DIMENSIONS

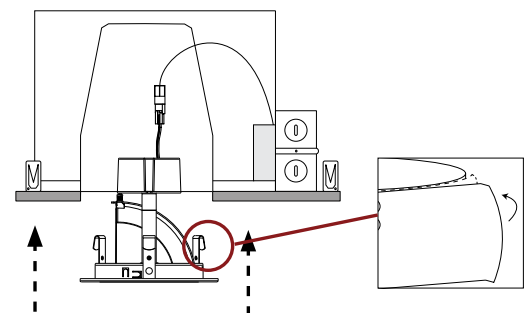
	4"
Height	5-1/2"
Width	4-1/8"

Safety tests were conducted in minimum housing dimension specified. Luminaire malfunction and overheating may occur if installed into a smaller housing.

Refer to correlation label of luminaire and/or specification sheet at www.NoraLighting.com

FOR LED DEDICATED HOUSINGS:

1. Connect orange female connector to male connector and ground wire of the fixture to housing.
⚠ IMPORTANT: Connector is not intended to support weight of the fixture. Please support fixture at all times.
2. Squeeze friction blades on reflector and carefully push fixture into the housing.



FOR RETROFIT HOUSINGS (OPTIONAL):

1. Place provided LED Lamp Replacement Marking Sticker inside the housing where visible to installer.
2. Cut Medium-base socket adapter (Figure 3)
3. Replace with male Ideal connector (included) (Figure 4)
4. Connect orange female connector to male connector.
5. Squeeze friction blades on reflector and carefully push fixture into the housing.

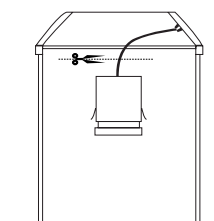


Figure 3

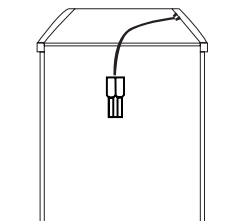


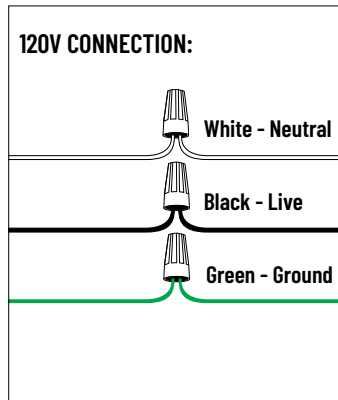
Figure 4

Installation Instructions

NLCBC Series

Cobalt Retrofit Adjustable Elbow

READ PRIOR TO ATTEMPTING INSTALLATION
 ALWAYS TURN OFF MAIN POWER BEFORE INSTALLATION
 INSTALLATION SHOULD BE CARRIED OUT BY YOUR LOCAL ELECTRICIAN



PHILIPS BODINE BSL17C-C2 EM ELECTRICAL CONNECTION FOR MODEL:

