

# Installation Instructions

## NMRTLGPD - Pull-Down Adjustable LED Trimless MLS

READ PRIOR TO ATTEMPTING INSTALLATION  
ALWAYS TURN OFF MAIN POWER BEFORE INSTALLATION  
INSTALLATION SHOULD BE CARRIED OUT BY YOUR LOCAL ELECTRICIAN

**⚠ WARNING** - This equipment is intended to be installed only by qualified personnel. The installation must be made in accordance with the current edition to the National Electric Code and all applicable state and local building codes. The final installation must be approved by the appropriate qualified electrical/building inspector(s). Improper installation may result in a fire or electrical hazard. Be sure the electrical power to the circuit has been disconnected before installing this electrical system.

**⚠ AVERTISSEMENT** - Cet équipement est destiné à être installé uniquement par du personnel qualifié. L'installation doit être faite en conformité avec l'édition actuelle du Code national de l'électricité et toutes éatiques et locales codes du bâtiment applicables. L'installation finale doit être approuvée par l'inspecteur en électricité / bâtiment qualifié approprié(s). Une mauvaise installation peut entraîner un incendie ou un risque électrique. Soyez sûr de la puissance électrique vers le circuit a été coupée avant l'installation de ce système électrique.

**NOTE: NMR FIXTURE MUST MAINTAIN A MINIMUM CLEARANCE OF 3" FROM THERMAL INSULATION AND 1/2" CLEARANCE FROM ANY SIDE OR OVERHEAD STRUCTURAL COMPONENTS SUCH AS WOOD OR DRYWALL IN ACCORDANCE WITH UL AND NEC REQUIREMENTS.**

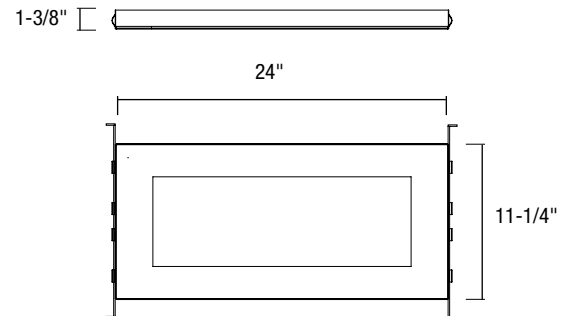
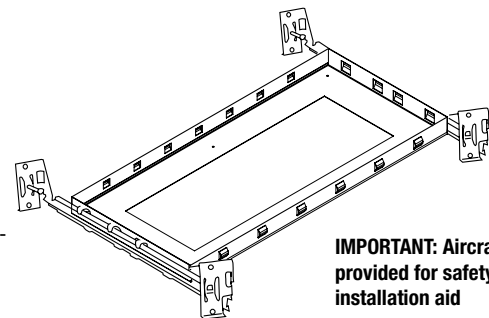
Electrical connections: Note that all connections to ballast or transformers (if applicable) have been made; simply connect line, neutral and grounding to incoming circuits.

1. Remove electrical enclosure cover inside housing by removing brass nut.
2. Connect 1/2" trade size steel conduit or flex to junction box with appropriate fitting.
3. Connect incoming power to fixture:

Black	- Supply Voltage
White	- Neutral
Green/Copper	- Copper or Green Grounding Wire

### MULTIPLE TRIMLESS NEW CONSTRUCTION INSTALLATION STEPS:

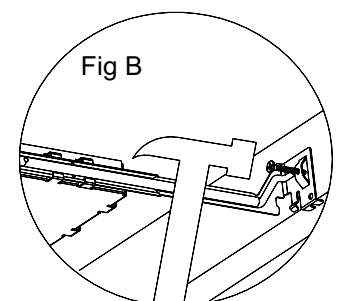
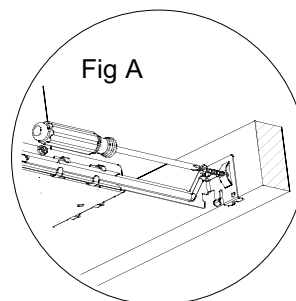
1. Extend the hanger bars of the housing plate and adjust to the required span between ceiling joists, centering the cutout hole in the desired location. Using the spikes on the hanger bars temporarily mount the housing plate. Verify that bottom part of the plate is flush with the proposed ceiling line, complete the installation by securing the hanger bars to the joists with mounting screws or nails (not included).
2. Run the supply wire (not included) prior to ceiling installation ensuring that a minimum of 15" extends through the cutout hole and below the ceiling line. Temporarily rest the wire on top of the housing plate so that it will be accessible once the ceiling is installed. Proceed to install the ceiling.
3. After ceiling installation use the housing plate hole as a guide and carefully cut out the hole for the fixture. Use of a rotary saw is recommended, as this will create a clean cut which is perpendicular to the ceiling line.
4. Pull the supply wire down below the ceiling.
5. Remove the housing junction box door from its spring clip.
6. Remove desired knockout from the housing and install a wire connector.
7. Run wires through the wire connector and into the junction box and then fasten the wire at the connector. Proceed to connect the black, white and ground wires from power supply to the black, white and ground wires of the housing, ensure all wire connections are made with wire nuts (not included).
8. With all wires tucked into connection box refasten the housing door.
9. Insert the housing through ceiling hole until lip of white can is flush with the housing plate.



### MOUNTING:

Supplied with two hanger bars, (24" max). Bars can be used on all four sides and are notched on the ends to fit over "T" bars in suspended ceilings. Hanger bars include a captive mounting "screw-nail" for ease of installation.

1. Align the bottom of the hanger bar with the bottom of the wood joist.
2. Secure the "screw-nail" on each end by screwdriver (See Figure A), or by hammer (See Figure B).
3. Junction box is suitable for branch circuit wiring and provided with trade size knockouts and integral nonmetallic sheathed cable connectors.
4. Pry open the knock-out and push the wire through the clamp plate inside.
5. Wire connections must be installed in a manner that does no interfere with the strain relief action of the clamp.



# Installation Instructions

## NMRTLGPD - Pull-Down Adjustable LED Trimless MLS

READ PRIOR TO ATTEMPTING INSTALLATION  
ALWAYS TURN OFF MAIN POWER BEFORE INSTALLATION  
INSTALLATION SHOULD BE CARRIED OUT BY YOUR LOCAL ELECTRICIAN

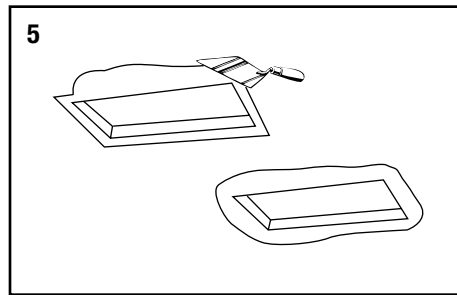
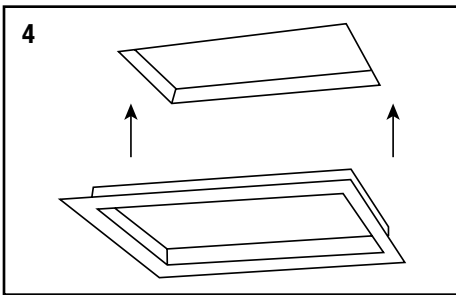
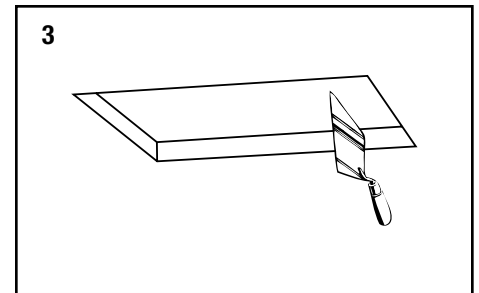
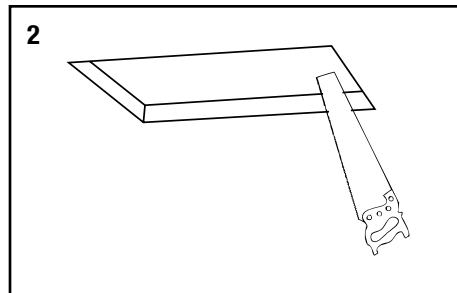
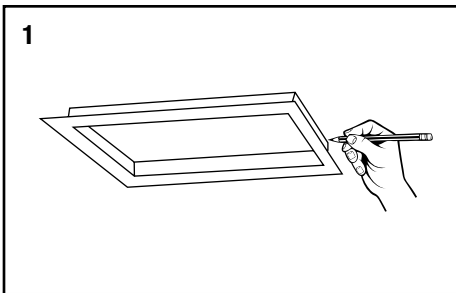
### MULTIPLE TRIMLESS REMODEL INSTALLATION STEPS:

**NOTE:** Before proceeding, make sure power is disconnected.

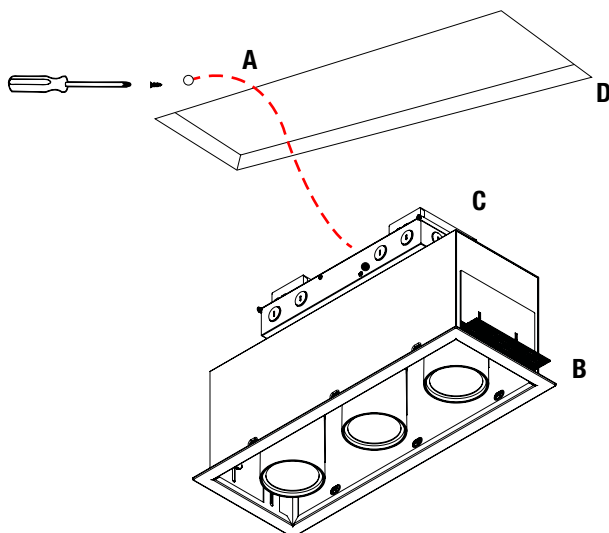
1. Trace the cut hole using the plaster frame as a template.
2. Cut hole with a drywall saw.
3. Plaster the inside top perimeter of the cut hole.
4. Install the plaster frame securely into the cut hole.
5. Plaster the ioutside of the cut hole plaster frame. Allow plaster to dry.
6. a. Screw aircraft cable into the ceiling joist to support the fixture during installation.  
b. Adjust the mounting bracket.\*  
c. Wire the fixture.  
d. Insert the fixture into the opening.\*\*  
e. Instal LEDs

\* For 1 row x 1 lamp configuration, attach only 1 mounting bracket before inserting fixture into the opening, then finish by attaching the second mounting bracket, wire the fixture and install the bulbs.

\*\* IMPORTANT: Aircraft cable provided for safety and installation aid.



6



E Ceiling Joist

