

NIOB-2RG

2" Iolite Round Adjustable Gimbal with 10° Optic

Source: 12W
850lm

Type

Project

Catalog No.

Notes

PRODUCT DESCRIPTION

2" Iolite trims can be specified for use with Iolite new construction or remodel housings. Die-cast adjustable surface gimbals adjust to aim the light source in desired direction.

FEATURES

- Delivering up to 8573 center beam candlepower (CBCP)
- 2700K, 3000K, 3500K, 4000K @ 90+ CRI
- 10° TIR optic delivers luminous intensity of higher lumen downlights
- 5-Year limited warranty

SPECIFICATION

Construction: Trims are constructed of heat dissipating, die-cast aluminum. The aluminum die-cast LED heat sink is threaded to fit the trim and transfer heat.

Mounting: Luminaire includes friction blades to mount securely to housing.

OPTIC

Each luminaire includes 10° TIR optic (Note: cannot be changed in the field)
Luminaire is also available with field changeable optics, [Click Here](#) for more information.

ELECTRICAL

Lumens / Wattage: 850lm / 12W
Color Temperature: 2700K, 3000K, 3500K, 4000K
Color Rendering Index: 90+ CRI
Operating Temperature: Specified by housing
Lifetime: 50,000 hours @ L70
Dimming: Specified by housing

COMPATIBLE HOUSINGS

Luminaires are compatible with respective Iolite housings manufactured by Nora Lighting.

| CATALOG NO. | DESCRIPTION |
|-----------------------------------|--|
| NHIOICD-28LE4 | ICAT New Construction, 120-277V; Triac / ELV / 0-10V |
| NHIOICD-28LUPEQ | ICAT New Construction, 120/277V; Lutron EcoSystem |
| NHIOICDCP-28LE4 | Chicago Plenum, 120-277V; Triac / ELV / 0-10V |
| NHIOICDCP-28LUPEQ | Chicago Plenum, 120/277V; Lutron EcoSystem |
| NHRIOIC-28LE4 | ICAT Remodel, 120-277V; Triac / ELV / 0-10V |

Accessories: Luminaires can accommodate (1) hex louver and (1) translucent deco collar or opaque snoot, no accessory holder is required, see accessories page. Flush mount mud ring is available to give the appearance of a trimless, compatible with new construction housings only.

LABELS AND LISTINGS

- cULus Listed for Damp Locations
- ENERGY STAR certified
- [5-Year Limited Warranty](#)
- RoHS Compliant
- Certified to the high efficacy requirements of California Title 24 JA8-2019

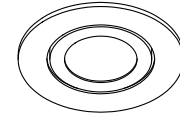


Performance Data

| Part Number | Lumens | CCT | CBCP |
|----------------------|--------|-------|---------|
| NIOB-2RG400WW | 885lm | 4000K | 8573 cd |

Delivered lumens will vary depending on CCT and finish

PRODUCT IMAGES AND DIMENSIONS



2-1/4"
3-5/8"

NIOB-2RG

Round Adjustable Gimbal

Adjustability:

New Construction: 30° / Remodel: 15°



BB
Black



BZ
Bronze



MPW
Matte Powder White



NN
Natural Metal



WW
White

2" Iolite Round Adjustable Surface Gimbal with 10° Optic - Dedicated Housing Required

| Type | Color Temperature | Finish |
|---|--------------------|---------------------------------|
| NIOB-2RG = Round Adjustable Gimbal | 270 = 2700K | BB = Black |
| | 300 = 3000K | BZ = Bronze |
| | 350 = 3500K | MPW = Matte Powder White |
| | 400 = 4000K | NN = Natural Metal |
| | | WW = White |

Compatible Housings

Housing Type

NHIOICD-28LE4 = ICAT New Construction; Triac / ELV / 0-10V
NHIOICD-28LUPEQ = ICAT New Construction; Lutron EcoSystem
NHIOICDCP-28LE4 = Chicago Plenum; Triac / ELV / 0-10V
NHIOICDCP-28LUPEQ = Chicago Plenum; Lutron EcoSystem
NHRIOIC-28LE4 = ICAT Remodel; Triac / ELV / 0-10V

Example: **NIOB-2RG300WW** = 2" Iolite Round Adjustable Gimbal with 10° Optic, 3000K, White finish

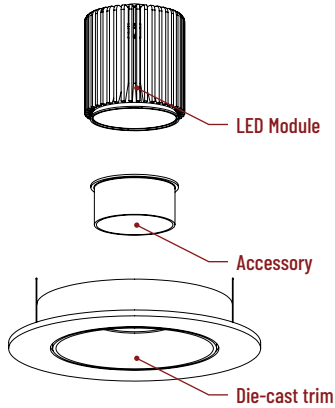
2" Iolite Accessories

2" Iolite Round Adjustable Gimbal

| |
|-------------|
| Type |
| Project |
| Catalog No. |
| Notes |

ACCESSORIES

Iolite accessories can be added at any point in the design process. Accessories easily install between LED module and die-cast trim. Luminaire will accommodate (1) hex louver and (1) collar accessory, no accessory holder required.



Translucent Decorative Collar

NIO-AS14(color) 5/8" length
NIO-AS19(color) 3/4" length
NIO-AS26(color) 1" length
Color:
AM (amber), **BLU** (blue), **FR** (frosted), **R** (red)

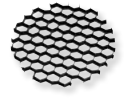
Translucent collars color the aperture with the specified color while producing white general light. Collars are available in different lengths. Use to add interest, create a theme, match a theme or define a space.



Opaque Collar Snoot

NIO-AS14(color) 5/8" length
NIO-AS19(color) 3/4" length
NIO-AS26(color) 1" length
Color:
BLK (black), **MPW** (matte powder white), **WH** (white)

Opaque snoot greatly reduces aperture brightness while preserving light output. (Note: Black snoot will reduce light)



Hex Cell Louver

NIO-HC Black
 Hex cell louver subtly reduces aperture brightness by reducing light output by about 20%.

FLUSH MOUNT

2" Iolite trims can be installed flush with the drywall for a flush mount appearance. A flush mount mud ring is installed after the drywall and a professional drywall finisher floats the ceiling to blend in the mud ring.



Flush Mount Mud Ring

NIO-FMMR-2R Round Mud Ring
 Mounts trim flush to ceiling with flange visible.
Mud ring attaches to drywall. Only for use with NH10ICD-28 or NH10ICDCP-28 new construction housings and NIOB-2R trims.
 Dimensions: 7-7/8" diameter 1/2" thick

PHOTOMETRICS

2" Iolite Round Adjustable Gimbal with 10° Optic

Type _____

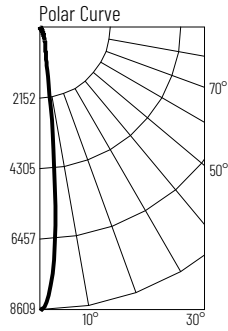
Project _____

Catalog No. _____

Notes _____

Test Information

Test Number: NTR1904R1
 Part Number: NI0B-2RG40QWW
 Beam Spread: 12° Spot
 Lumens: 885lm
 Wattage: 12.38W
 Efficacy: 71lpw
 CCT / CRI: 4000K / 90 CRI
 Spacing Criteria (0°-180°): 0.22
 Spacing Criteria (90°-270°): 0.22



Illuminance at a Distance

| Distance from Luminaire | FC at Nadir | Beam Diameter |
|-------------------------|-------------|---------------|
| 16' | 33.5fc | 3'-4" |
| 18' | 26.5fc | 3'-10" |
| 20' | 21.4fc | 4'-2" |
| 22' | 17.7fc | 4'-7" |
| 24' | 14.9fc | 5' |

Zonal Lumen Summary

| Zone | Lumens | % Luminaire |
|--------|--------|-------------|
| 0-30 | 703 | 79.5 |
| 0-40 | 781 | 88.3 |
| 0-60 | 851 | 96.2 |
| 0-90 | 885 | 100 |
| 90-180 | 0 | 0 |
| 0-180 | 885 | 100 |

Candela Table

| Vertical Angles | Candela |
|-----------------|---------|
| 0 | 8573 |
| 5 | 5323 |
| 15 | 718 |
| 25 | 310 |
| 35 | 119 |
| 45 | 50 |

Lumen Output Multipliers

Color Temperature: 2700K (0.9), 3000K (0.96), 3500K (0.96), 4000K (1.00)