

NPR-4SNDC

4" Pearl LED Square Retrofit Reflector with Round Aperture

Source: 12W LED

800lm or 1000lm

PRODUCT DESCRIPTION

Pearl LED Retrofit series is cULus classified for use in existing IC or Non-IC housings manufactured by Nora and others. The 4" retrofit luminaires deliver over 1100 lumens with deep regressed cone reflector for optimal visual cut-off.

FEATURES

- 1000lm LED output (800lm with Comfort Dim)
- Cree® LED COB or Comfort Dim Technology
- 2700K, 3000K, 3500K, 4000K @ 90+ CRI
- Field changeable optics included (Spot, Narrow Flood and Flood - installed)
- Integral dimmable driver
- Includes medium base socket adapter for easy retrofitting in 4" recessed housings
- 5-year limited warranty
- ENERGY STAR certified
- cULus classified for wet locations

SPECIFICATION

Construction: Reflectors are constructed of heat dissipating, die-cast aluminum. The aluminum die-cast LED heat sink is threaded to fit the reflector and transfer heat.

Mounting: Reflector includes friction blades to mount securely to housing.

OPTICS

Each reflector includes field changeable optics (29° spot, 43° narrow flood and 62° flood - preinstalled). Premium 15° and 25° TIR optics are also available.

ELECTRICAL

Input Voltage: 120V

Lumens / Wattage: 1000lm / 12W (800lm w/ Comfort Dim)

Color Temperature: 2700K, 3000K, 3500K, 4000K

CRI: 90+CRI

Operating Temp.: 0°C to 25°C ambient temperature

Lifetime: 50,000 hours @ L70

Comfort Dim: Comfort Dim color tunes the temperature from a bright 3100K, to a romantic and comfortable 2000K on a gradual, even curve. Available in 800lm [only](#).

Dimming: Triac or ELV

[Click Here](#) or check complete dimmer list at www.NoraLighting.com in the "Compatibility" page under "Resources" tab

COMPATIBLE HOUSINGS

Pearl retrofit reflectors are compatible with most 4" IC and Non-IC housings by Nora and others.

Fire Box

NFBIC-4LMRATA* ICAT Dedicated LED

NFBIC-4INCATA ICAT Line Voltage

New Construction

NSIC-4LMRAT* Max. Adjustability ICAT Dedicated LED

NHIC-4LMRAT* ICAT Dedicated LED

NHIC-4LMRAT/277* ICAT Dedicated LED, 277V

(includes step-down transformer)

NSIC-401QAT ICAT Line Voltage

NS-401QAT AT Line Voltage

NHIC-4G24AT ICAT GU24

Remodel

NHRIC-4LMRAT* ICAT Dedicated LED

NSRIC-404QAT ICAT Line Voltage

NSR-404QAT AT Line Voltage

NHRIC-4G24AT ICAT GU24

* Nora Dedicated LED housings are cULus listed for use only with Nora LED Retrofits.

Retrofit: Pearl retrofit series includes medium base screw-socket adapter (NRA-211SM) for retrofitting into existing medium base downlight housings. GU24 socket adapter is available for use with GU24 housings, must specify NRA-212SM.

Accessories: Reflectors will accommodate (1) hex louver and (1) translucent deco collar or opaque snoot, no accessory holder is required, see accessories page.

LABELS AND LISTINGS

- cULus classified for Wet Locations
- ENERGY STAR certified
- RoHS compliant
- [5-Year Limited Warranty](#)
- Certified to the high efficacy requirements of California Title 24 JA8-2019



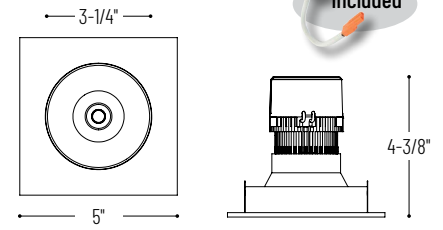
Type

Project

Catalog No.

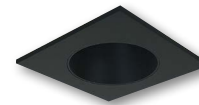
Notes

PRODUCT IMAGES & DIMENSIONS

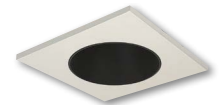


NPR-4SNDC

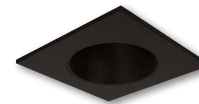
Square Reflector with Round Aperture
Non-Adjustable



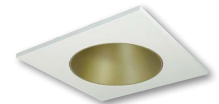
BB
Black Reflector
Black Flange



BW
Black Reflector
White Flange



BZ
Bronze Reflector
Bronze Flange



CHMPW
Champagne Haze Reflector
Matte Powder White Flange



HW
Haze Reflector
White Flange



HZMPW
Haze Reflector
Matte Powder White Flange



MPW
Matte Powder White Reflector
Matte Powder White Flange



NN
Natural Metal Reflector
Natural Metal Flange



WW
White Reflector
White Flange

4" Pearl LED Square Retrofit Reflector with Round Aperture

Reflector Type	Color Temperature / Lumens	Finish
NPR-4SNDC = Square Reflector with Round Aperture	27X = 2700K / 1000lm	BB = Black / Black
	30X = 3000K / 1000lm	BW = Black / White
	35X = 3500K / 1000lm	BZ = Bronze / Bronze
	40X = 4000K / 1000lm	CHMPW = Champagne / Matte Powder White
	CDX = Comfort Dim / 800lm	HW = Haze / White
		HZMPW = Haze / Matte Powder White
	MPW = Matte Powder White	
	NN = Natural Metal / Natural Metal	
	WW = White / White	

Example: **NPR-4SNDC27XWW** = 4" Pearl LED Square Retrofit Reflector with Round Aperture, 2700K / 1000lm, White finish

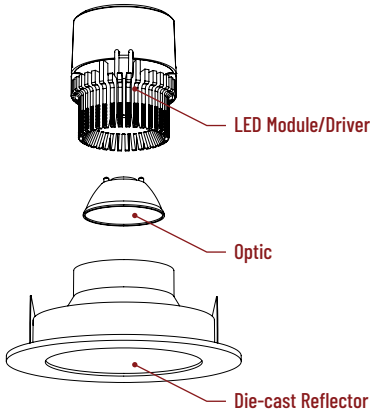
Pearl LED Retrofit Accessories

4" Pearl LED Square Retrofit Reflector with Round Aperture

Type
Project
Catalog No.
Notes

FIELD CHANGEABLE OPTICS

Pearl reflectors include spot, narrow flood and flood optics. Optics can be changed in the field by removing LED module from die-cast reflector. Replacement optics include an optional frosted lens. **Note:** Premium TIR optics are not compatible with Comfort Dim LED modules.



Frosted Filter-Optic

NIO-REFL15FR	15° Optic
NIO-REFL25FR	29° Optic
NIO-REFL38FR	43° Optic
NIO-REFL60FR	62° Optic

Optic assemblies includes specified optic and optional frosted lens. 29°, 43° and 62° optics are included with each reflector.



Premium TIR Optics

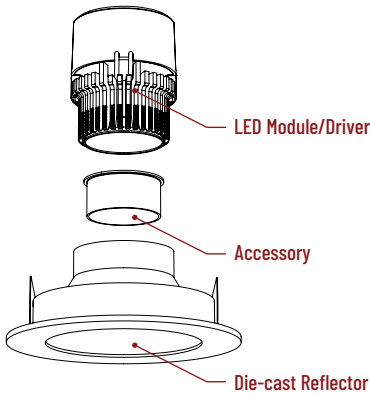
NIO-REFLTIR15	15° Optic
NIO-REFLTIR25	25° Optic

Premium TIR (total internal reflection) optics create optimal spot and narrow flood beam spread.

Not compatible with Comfort Dim (CDX) LED module

ACCESSORIES

Pearl accessories can be added at any point in the design process. Accessories easily install between LED module and die-cast reflector. Luminaire will accommodate (1) hex louver and (1) collar accessory, no accessory holder required.



Translucent Decorative Collar

NIO-AS14(color)	5/8" length
NIO-AS19(color)	3/4" length
NIO-AS26(color)	1" length
Color:	
AM (amber), BLU (blue), FR (frosted), R (red)	

Translucent collars color the aperture with the specified color while producing white general light. Collars are available in different lengths. Use to add interest, create a theme, match a theme or define a space.



Opaque Collar Snoot

NIO-AS14(color)	5/8" length
NIO-AS19(color)	3/4" length
NIO-AS26(color)	1" length
Color:	
BLK (black), MPW (matte powder white), WH (white)	

Opaque snoot greatly reduces aperture brightness while preserving light output. (Note: Black snoot will reduce light)



Hex Cell Louver

NIO-HC	Black
--------	-------

Hex cell louver subtly reduces aperture brightness by reducing light output by about 20%.

PHOTOMETRICS

4" Pearl LED Square Retrofit Reflector with Round Aperture

Type

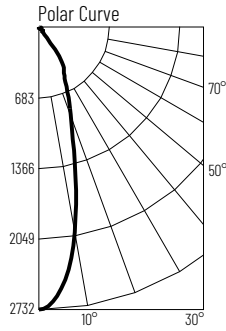
Project

Catalog No.

Notes

Test Information

Test Number: NTR1533
 Part Number: NPR-4SNDC30XWW
 Beam Spread: 29° Spot
 Lumens: 1187lm
 Wattage: 11.66W
 Efficacy: 102pw
 CCT / CRI: 3000K / 90 CRI
 Spacing Criteria (0°-180): 0.5
 Spacing Criteria (90°-270): 0.5



Illuminance at a Distance

Distance from Luminaire	FC at Nadir	Beam Diameter
4'	171fc	2'-1"
6'	75.9fc	3'-2"
8'	42.7fc	4'-4"
10'	27.3fc	5'-4"
12'	19fc	6'-5"

Zonal Lumen Summary

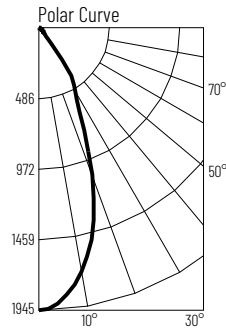
Zone	Lumens	% Luminaire
0-30	900	75.9
0-40	1088	91.7
0-60	1160	97.7
0-90	1184	99.7
90-180	3	0.3
0-180	1187	100

Candela Table

Vertical Angles	Candela
0	2732
5	2537
15	1356
25	636
35	344
45	55

Test Information

Test Number: NTR1534
 Part Number: NPR-4SNDC30XWW
 Beam Spread: 43° Narrow Flood
 Lumens: 1194lm
 Wattage: 11.67W
 Efficacy: 102pw
 CCT / CRI: 3000K / 90 CRI
 Spacing Criteria (0°-180): 0.7
 Spacing Criteria (90°-270): 0.7



Illuminance at a Distance

Distance from Luminaire	FC at Nadir	Beam Diameter
4'	122fc	3'-1"
6'	54fc	4'-8"
8'	30.4fc	6'-4"
10'	19.4fc	7'-10"
12'	13.5fc	9'-5"

Zonal Lumen Summary

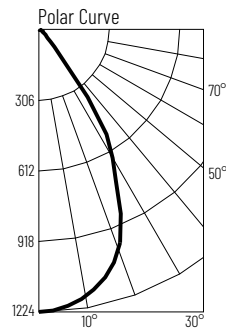
Zone	Lumens	% Luminaire
0-30	901	75.5
0-40	1094	91.6
0-60	1166	97.6
0-90	1191	99.8
90-180	3	0.2
0-180	1194	100

Candela Table

Vertical Angles	Candela
0	1945
5	1874
15	1441
25	705
35	335
45	55

Test Information

Test Number: NTR1535
 Part Number: NPR-4SNDC30XWW
 Beam Spread: 62° Flood
 Lumens: 1178lm
 Wattage: 11.72W
 Efficacy: 101pw
 CCT / CRI: 3000K / 90 CRI
 Spacing Criteria (0°-180): 0.94
 Spacing Criteria (90°-270): 0.96



Illuminance at a Distance

Distance from Luminaire	FC at Nadir	Beam Diameter
4'	76.5fc	4'-10"
6'	34fc	7'-2"
8'	19.1fc	9'-7"
10'	12.2fc	12'
12'	8.5fc	14'-5"

Zonal Lumen Summary

Zone	Lumens	% Luminaire
0-30	805	68.4
0-40	1045	88.7
0-60	1148	97.4
0-90	1176	99.8
90-180	3	0.2
0-180	1178	100

Candela Table

Vertical Angles	Candela
0	1224
5	1209
15	1112
25	829
35	421
45	74

Lumen Output Multipliers

Color Temperature: 2700K (0.97), 3000K (1.00), 3500K (1.05), 4000K (1.09)