

NTH-113

BR/PAR38 Flatback Cylinder with Black Baffle

Lamp: 150W BR40/PAR38 max.

Type _____

Project _____

Catalog No. _____

Notes _____

PRODUCT DESCRIPTION

Line voltage flatback cylinder with black baffle. Fixture includes a yoke that provides full adjustment of light source for special aiming and has dual tightening knobs assure secure lock on angle position.

FEATURES

- Die cast aluminum provides superior strength and rigidity.
- Black baffle eliminates glare and adds finished touch.
- One or two circuit track capable.
- Accepts LED lamps

CONSTRUCTION

Housing: 0.030" Deep drawn steel construction with simple, cylindrical design. All edges are softened for aesthetic appearance.

Yoke: 0.085" Rigid steel "wishbone" yoke connects fixture housing to electrical contact head. Dual plastic angle tightening knobs maintain clean, decorative appearance of the fixture and provide secure angle position.

Baffle: 0.085" Black finished phenolic high heat rated plastic baffle, provides finished appearance and assists in eliminating glare from housing interior.

ELECTRICAL

Voltage: 120V input

Socket: Medium base

Lamp: 150W BR40/PAR38 max. (not included)

FINISH

Available in black and white finishes.

ONE/TWO CIRCUIT CONVERSION

Positive contact (opposite neutral and ground contacts) is preset to "down" position at factory but may be raised to the higher position to install onto the second circuit of Nora Lighting NT- 2300 series two-circuit track.

OPTIONAL ACCESSORIES

NT-340: BR40/PAR38 Black Barn Door

NT-343: BR40/PAR38 Black Louver (requires NT-340 or NT-346)

NT-346: BR40/PAR38 Black Accessory Holder

LABELS AND LISTINGS

UL Listed



PRODUCT IMAGES AND DIMENSIONS

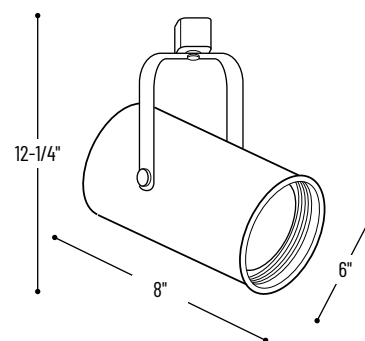


NTH-113B

Black Flatback Cylinder with Black Baffle

NTH-113W

White Flatback Cylinder with Black Baffle



BR/PAR38 Flatback Cylinder with Black Baffle

Catalog No.	Finish	Style
NTH-113	B = Black	(blank) = H-style
	W = White	/J = J-style
		/L = L-style

Optional Accessories

Description
NT-340 = BR40/PAR38 Barn Door, Black
NT-343 = BR40/PAR38 Louver, Black (Requires NT-340 or NT-346)
NT-346 = BR40/PAR38 Accessory Holder, Black

Example: **NTH-113B** = BR/PAR38 Flatback Cylinder with Black Baffle, Black, H-Style