



ITEM # BR16DB2 16" ROUND BAR

OUTER DIMENSIONS: 16"X7"

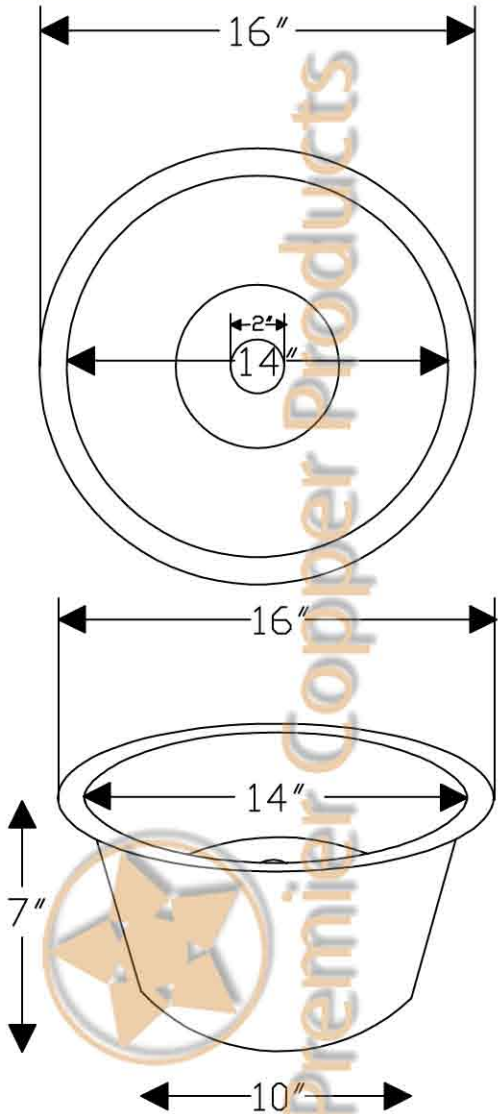
INNER DIMENSIONS: 14"X7"

DRAIN SIZE: 2" BAR STANDARD

MATERIAL GAUGE: 17

CODE/STANDARD COMPLIANCE

* IAPMO/cUPC LISTED



IMPORTANT: THIS PRODUCT IS HAND CRAFTED AND SMALL VARIANCES MAY OCCUR. DIMENSIONS MAY VARY UP TO 1/4". DO NOT MAKE ANY INSTALLATION CUTS UNTIL YOU RECEIVE YOUR SINK.