

Premier Copper Products

CODE/STANDARD COMPLIANCE

\* IAPMO/cUPC LISTED



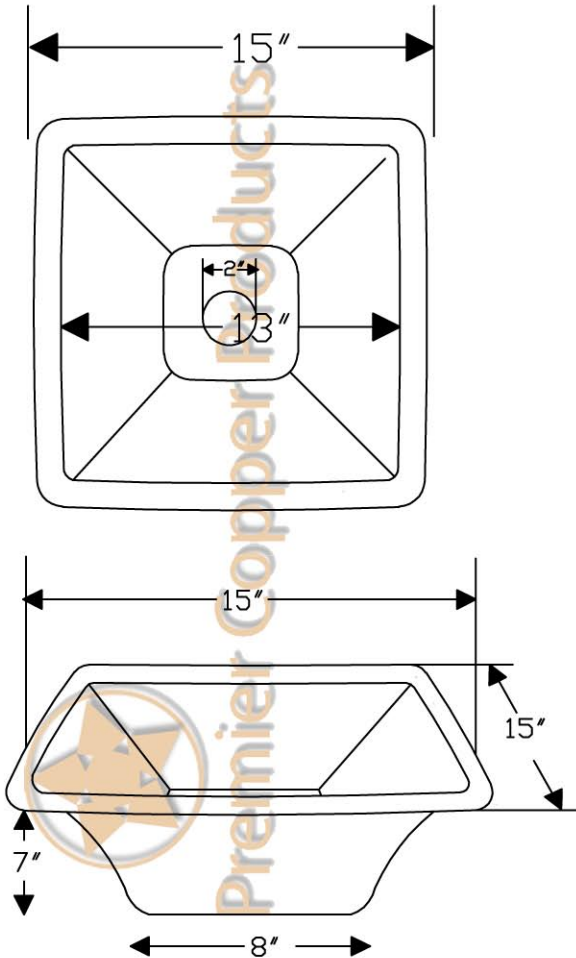
# ITEM # BS15DB2 15" SQUARE BAR

OUTER DIMENSIONS: 15"X15"X7"

INNER DIMENSIONS: 13"X13"X7"

DRAIN SIZE: 2" BAR STANDARD

MATERIAL GAUGE: 16



**IMPORTANT:** THIS PRODUCT IS HAND CRAFTED AND SMALL VARIANCES MAY OCCUR. DIMENSIONS MAY VARY UP TO 1/4". DO NOT MAKE ANY INSTALLATION CUTS UNTIL YOU RECEIVE YOUR SINK.