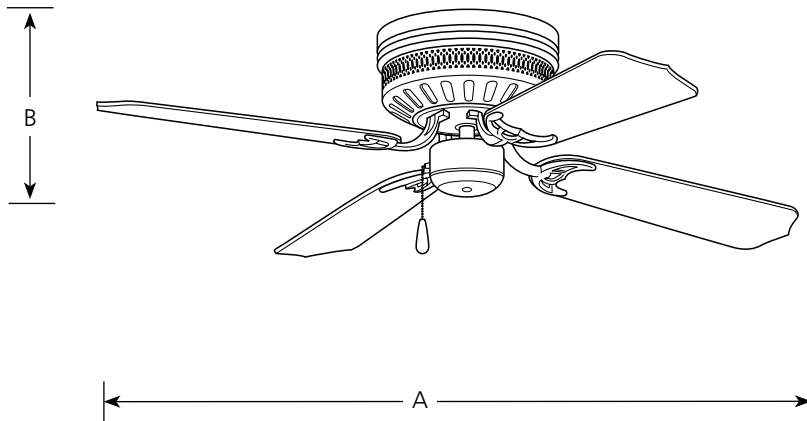


Catalog No.	Finish/Blades		Dimensions (Inches)	
	Brushed Nickel	White	A	B
P2524	-09	-30	42	8-5/16
	Cherry/Natural Cherry blades	White blades		

Type	-09	-30
P2524	<input type="checkbox"/>	<input type="checkbox"/>



ENERGYGUIDE

Estimated
Yearly Energy Cost

\$7.77

Cost Range of Similar Models (\$3 - \$34)

• Based on 12 cents per kWh and 6.4 hours use per day
 • Your cost depends on rates and use
 • Energy Use: 28 Watts

Airflow

1288

Cubic Feet Per Minute

• The higher the airflow, the more air the fan will move
 • Airflow Efficiency: 48 Cubic Feet Per Minute Per Watt

All estimates based on typical use, excluding lights. [ftc.gov/energy](http://www.ftc.gov/energy)

Fan mounted as close-to-ceiling.

Specifications:

General

- 15 year limited warranty
- Plated Brushed Nickel (-09) finish
- Painted White (-30) finish
- Compatible with universal light kits.
- Hugger style housing

Blades

- Four blades
- 11 degree pitch
- MDF blade material

Motor

- Triple capacitor speed control; manual reverse control
- 153mm dia. x 10mm high

Mounting

- Ceiling flush mount
- Unit covers a standard 4" hexagonal recessed outlet box Note: An outlet box assembly designed for fan installation is required (not included)
- Mounting hardware for outlet box included

Electrical

- Pre-wired
- Hugger fan cannot be operated with a remote control. Use P2613-30, P2619-30 pr P2630-30 for speed/light control.
- 1/8" IP accessory adapter

Labeling

- UL Dry location listed

ENERGY INFORMATION AT HIGH SPEED

AIRFLOW:	2056 CFM cubic feet per minute
ELECTRICITY USE:	46 watts (excludes lights)
AIRFLOW EFFICIENCY:	45 cubic feet per minute per watt

Progress Lighting
 701 Millennium Blvd.
 Greenville, South Carolina
 29607