

# Waveland Lamp

CT1201 | 1.0

## GENERATION LIGHTING PORTABLE

### General Product Information:

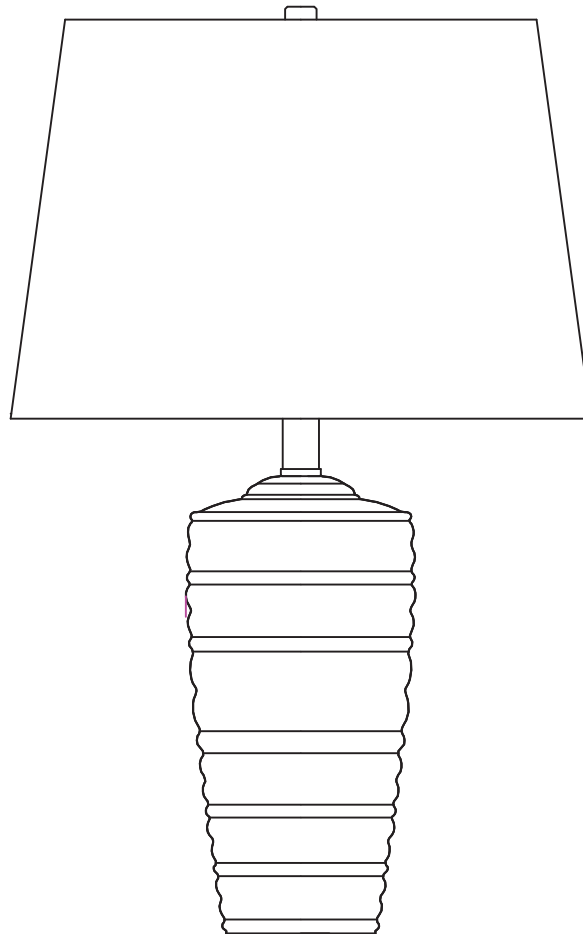
This product is safety listed for dry locations only.

This instruction shows a typical installation.

**SAVE THESE INSTRUCTIONS!**

### IMPORTANT SAFETY INSTRUCTIONS

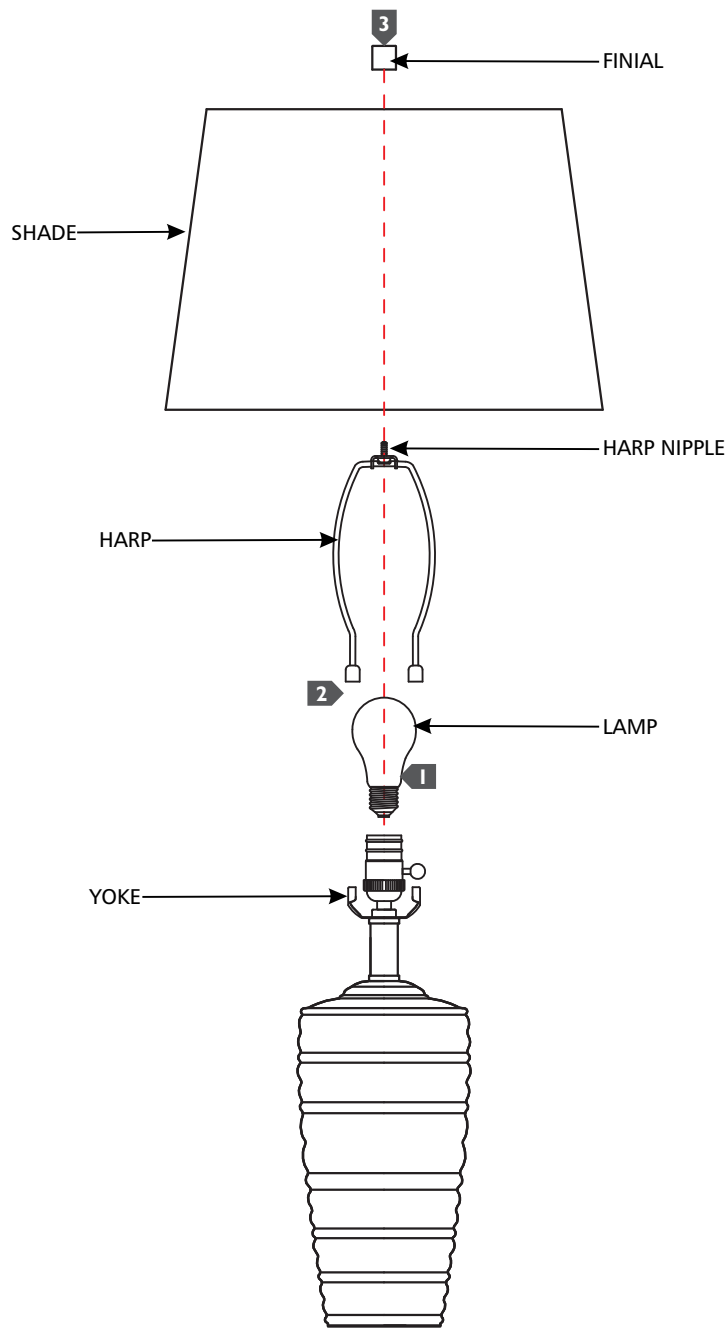
This portable lamp has a polarized plug (one blade is wider than the other) as a safety feature to reduce the risk of electric shock. This plug will fit in a polarized outlet only one way. If the plug does not fit fully in the outlet, reverse the plug. If it still does not fit contact a qualified electrician. Never use with an extension cord unless plug can be fully inserted. Do not attempt to defeat this safety feature.



GENERATION LIGHTING  
7400 Linder Ave., Skokie, IL 60077  
T 847.410.4400 | F 847.410.4500  
[www.generationlighting.com](http://www.generationlighting.com)

## Assemble the Lamp

IA



- 1** Install the harp by inserting it into the yoke
- 2** Screw the lamp into the socket. Refer to the label on the socket for Max Wattage Information.
- 3** Place the shade on the harp nipple and secure it in place by screwing the finial onto the harp nipple.