

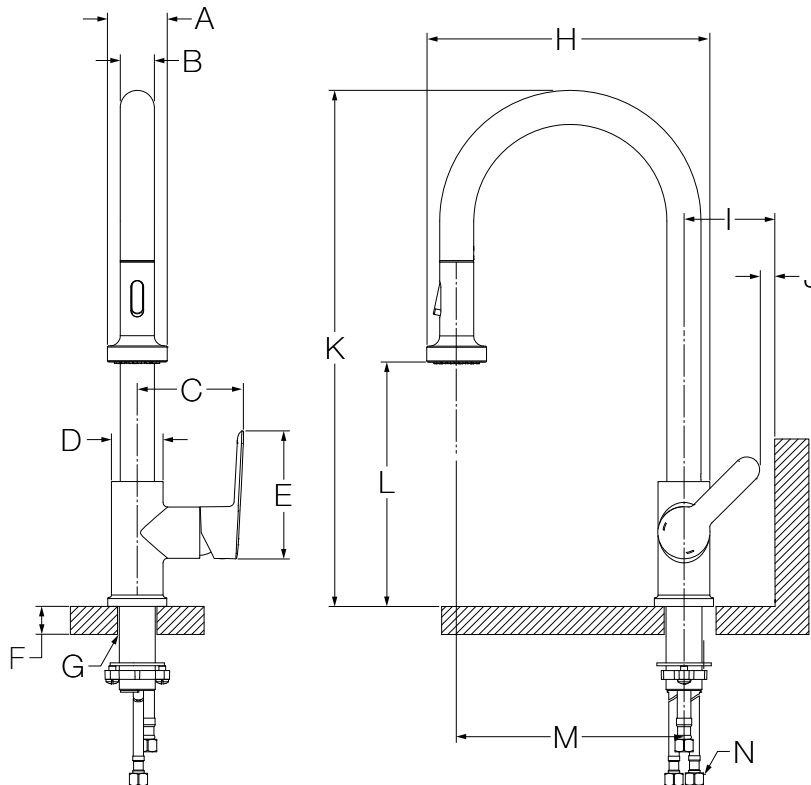


SPP-4310-PD
Kitchen Faucet with Pull-Down Spray
Installation Guide

Model Numbers	Specification
<input type="checkbox"/> SPP-4310-PD <i>Kitchen Faucet with Pull-Down Spray</i>	Kitchen Faucet with Pull-Down Spray shall include single hole mount configuration, ceramic cartridge, braided hose connections and standard 2.2 gpm (8.3 L/min) aerator. Faucet shall be made from metal construction, plated in standard polished chrome finish.
Compliance	
-ASME A112.18.1/CSA B125.1 -NSF/ANSI 61.9, NSF/ANSI 372	 
Warranty	Modifications
Limited Lifetime - to the original end purchaser in consumer/residential installations. 5 Years - for industrial/commercial installations. Refer to www.symmons.com/warranty for complete warranty information.	<input type="checkbox"/> -1.5 <i>1.5 gpm (5.7 L/min) aerator</i> <input type="checkbox"/> -MB <i>Matte Black finish (2.2 gpm only)</i> <input type="checkbox"/> -STS <i>Stainless Steel finish</i> Note: Append appropriate -suffix to model number.

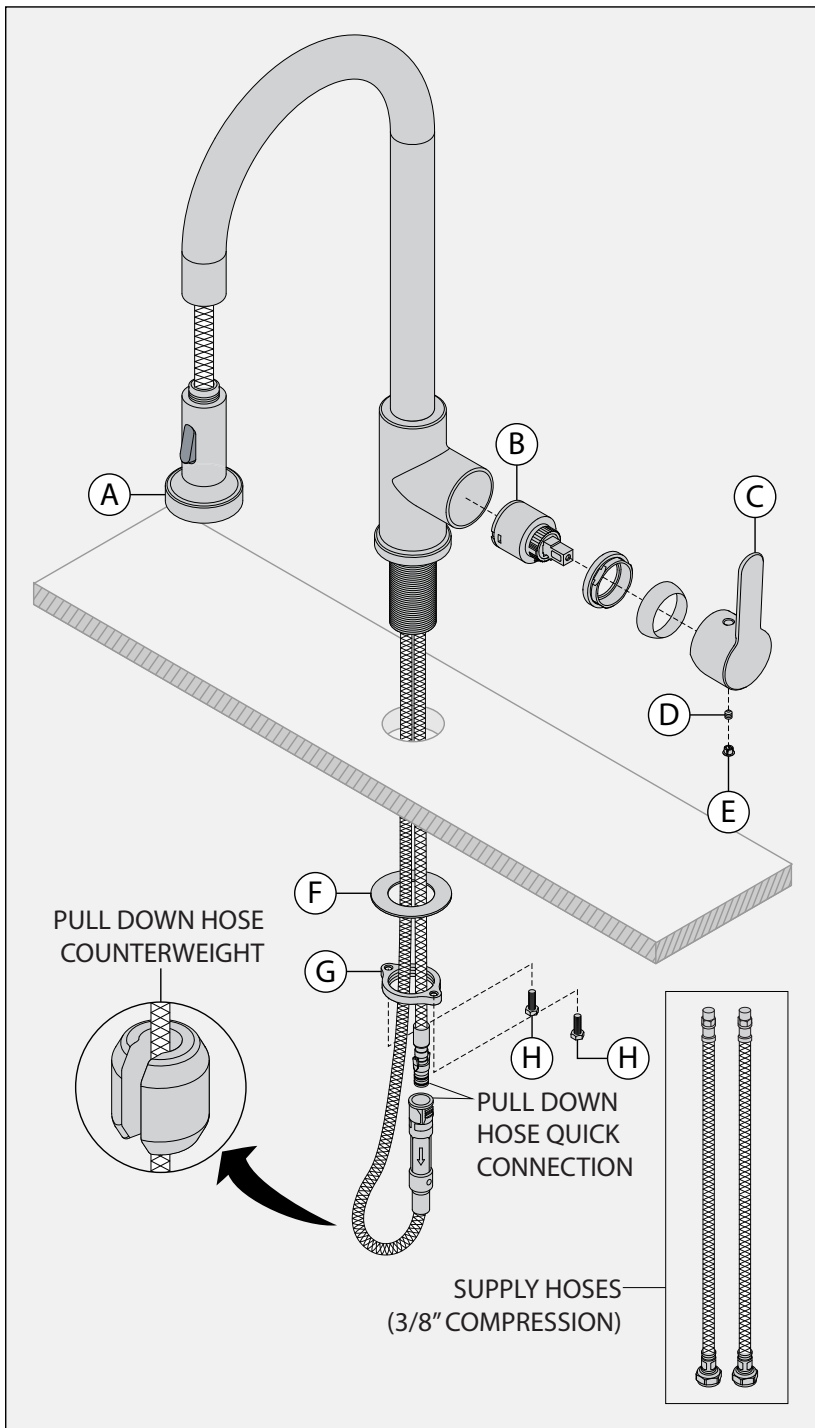
Dimensions



Measurements	
A	Ø 2-1/16", 52 mm
B	1-3/16", 30 mm
C	3-11/16", 94 mm
D	Ø 1-13/16", 46 mm
E	4-7/16", 113 mm
F	Deck Thickness Ref. Max. 2", 51 mm
G	Hole Size Min. Ø 1-3/8", 35 mm Max. Ø 1-1/2", 38 mm
H	9-13/16", 249 mm
I	3-1/8", 79 mm
J	1/2", 13 mm
K	17-7/8", 454 mm
L	8-1/2", 216 mm
M	7-7/8", 200 mm
N	3/8" compression fittings

Note: Dimensions subject to change without notice.

Parts Breakdown



Replacement Parts

Item	Description	Part Number
A	Spray Wand 2.2 gpm Spray Wand 1.5 gpm	RK-034 RK-034-1.5
B	Cartridge	KN-4
C	Handle	
D	Set Screw	RK-035
E	Plug Button	
F	Mounting Washer	
G	Mounting Nut	RK-028
H	Mounting Screws	

Tools Required for Installation

Adjustable Wrench	
Allen Wrench: Handle (2.5 mm)	
Phillips Head Screwdriver	
Plumber Tape	
Silicone	

Installation Notes:

- 1) Apply a bead of clear silicone around the perimeter of all faucet trim installed to deck surface.
- 2) Apply plumber tape to threaded connections as necessary. DO NOT use plumber tape on fittings with face seal washers or o-rings.
- 3) DO NOT OVERTIGHTEN fittings with face seal washers or o-rings.

⚠ WARNING: This product can expose you to chemicals including lead, which is known to the state of California to cause cancer, birth defects, or other reproductive harm. For more information, go to www.P65Warnings.ca.gov.